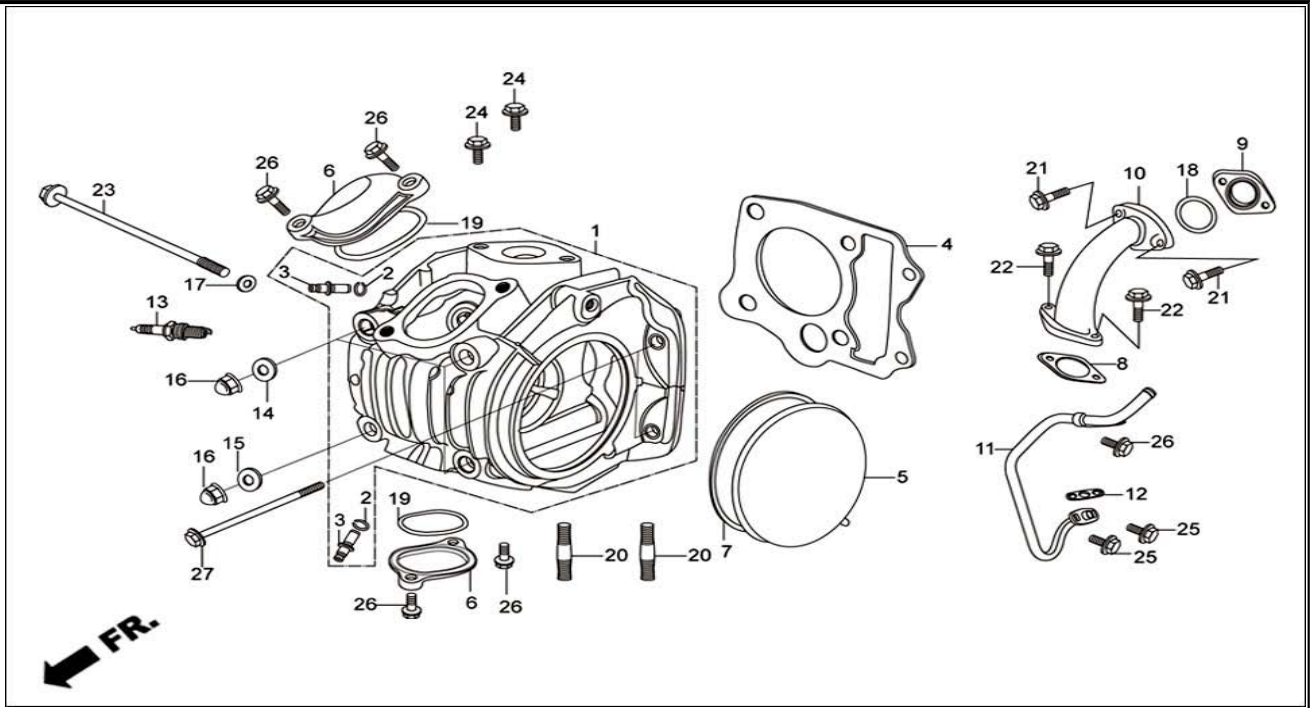


PARTS CATALOGUE

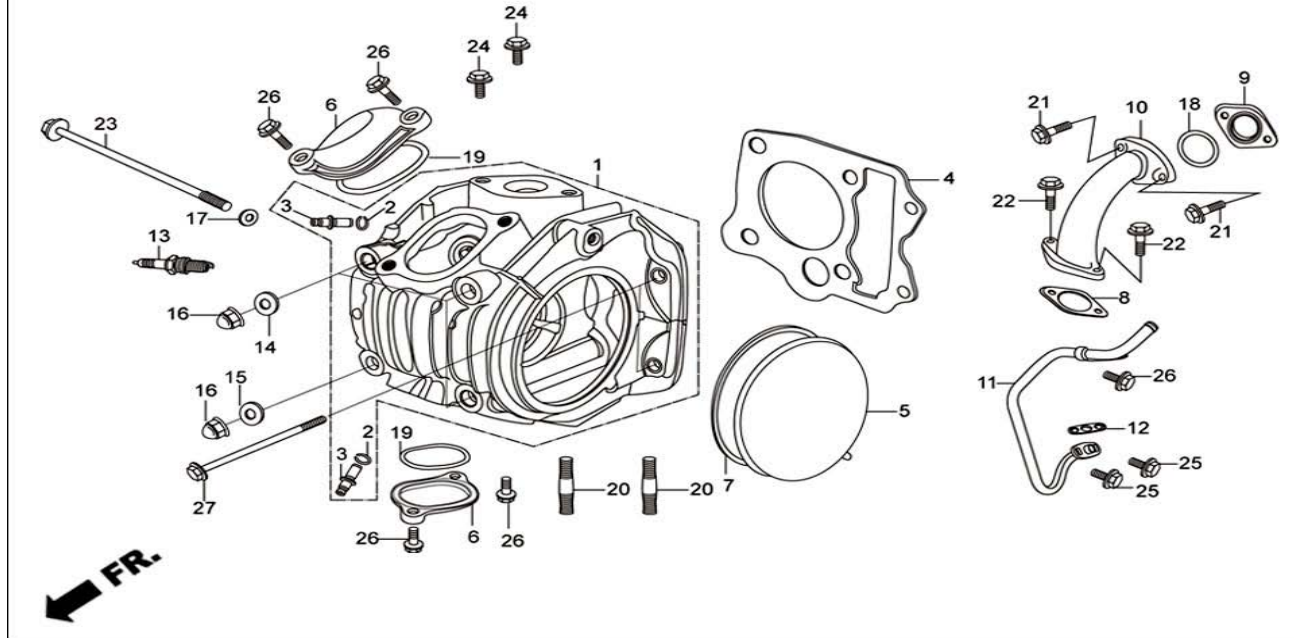
SUPER Splendor (May, 2012)

E-1 CYLINDER HEAD



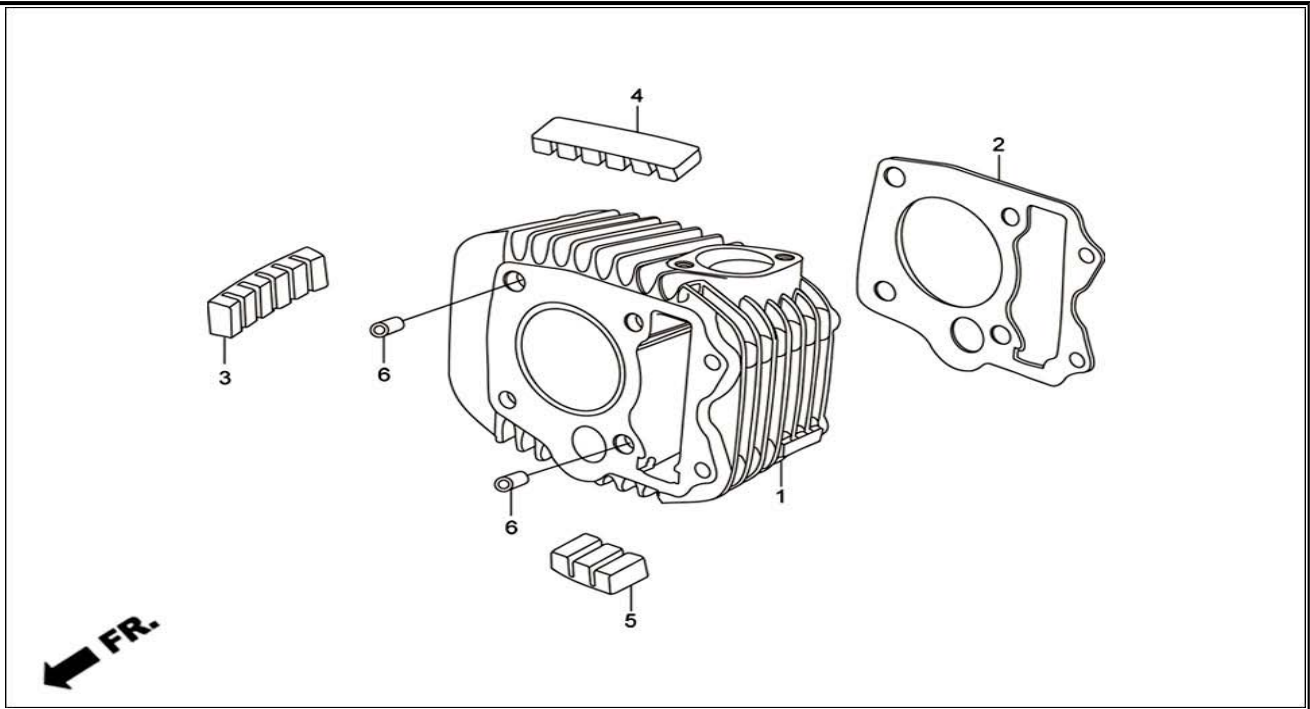
Service Item	F.R.T.	BOM Of Group Number: E-1 Model :: SUPER Splendor (May, 2012)			
		Ref No.	Part Number	Description	Req.
*HEAD COMP. CYLINDER	1.6	1	12200-KTC-A20	HEAD COMP., CYLINDER	1
*GASKET, CYLINDER HEAD	--	2	12213-KSP-910	CLIP VALVE GUIDE	2
*COVER, 'L' CYLINDER HEAD SIDE	0.2	3	12237-KPH-305	GUIDE, VALVE (OS)	2
*SPARK PLUG	0.1	4	12251-KPH-901	GASKET, CYLINDER HEAD	1
*INSULATOR, CARBURETTOR	0.2	5	12341-KTC-A20	COVER, L CYL. HEAD SIDE	1
*PIPE COMP. INLET	0.3	6	12361-KTC-A20	COVER, TAPPET ADJUSTING HOLE	2
		7	12395-KPH-901	GASKET, L CYL.HEAD SIDE COVER	1
		8	16201-KTR-A00	GASKET, CARBU INSULATOR	1
		9	16211-KTC-900	INSULATOR, CARBURETTOR	1
		10	17110-KTC-A20	PIPE COMP., INLET	1
		11	18640-KTR-A00	PIPE COMP., AIR FEED	1
		12	18645-MT4-730	GASKET, AIR FEED PIPE	1
		13	31916-KPH-901	SPARK PLUG	1
		14	90441-286-000	WASHER, SEALING, 8 MM	3
		15	90441-ME9-000	WASHER, SEALING, 8 MM	1
		16	90443-107-000	NUT, CAP, 8 MM	4
		17	90461-357-000	WASHER, SEALING, 12 MM	1
		18	91304-KPG-T00	O-RING , 28 X 2.4	1
		19	91372-KPH-900	O-RING , TAPPET ADJUSTING	2
		20	92900-08025-OE	BOLT STUD 2,8X25	2

E-1 CYLINDER HEAD



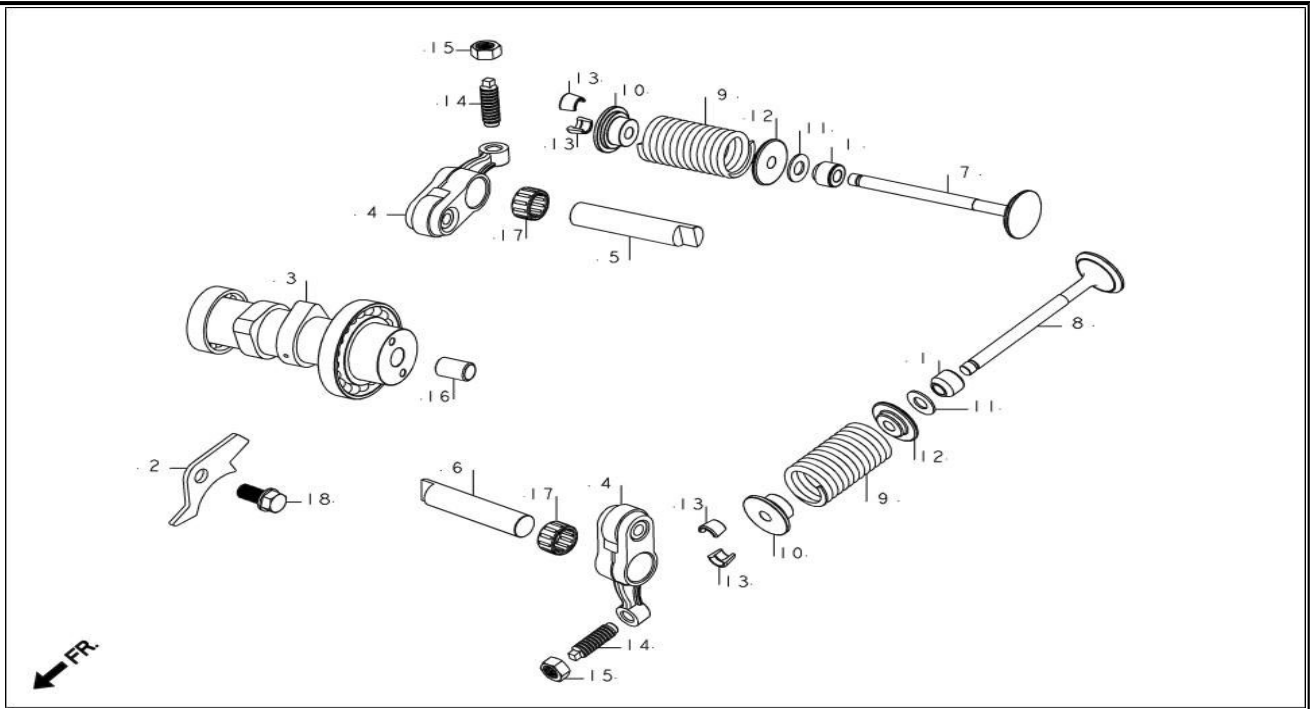
Service Item	F.R.T.	BOM Of Group Number: E-1 Model :: SUPER Splendor (May, 2012)			
		Ref No.	Part Number	Description	Req.
*HEAD COMP. CYLINDER	1.6				
*GASKET, CYLINDER HEAD	--	21	95701-06022-00	BOLT, FLANGE, SH. 6 X 22	2
*COVER, 'L' CYLINDER HEAD SIDE	0.2	22	95701-06025-18	BOLT, FLANGE, 6 X 25	2
*SPARK PLUG	0.1	23	95701-06110-00	BOLT, FLANGE, 6 X 110	1
*INSULATOR, CARBURETTOR	0.2	24	96001-06014-00	BOLT, FLANGE, SH. 6 X 14	2
*PIPE COMP. INLET	0.3	25	96001-06016-00	BOLT, FLANGE SH. 6 X 16	3
		26	96001-06020-00	BOLT, FLANGE, SH. 6 X 20	4
		27	96001-06095-00	BOLT, FLANGE, SH. 6 X 95	2

E-2
CYLINDER



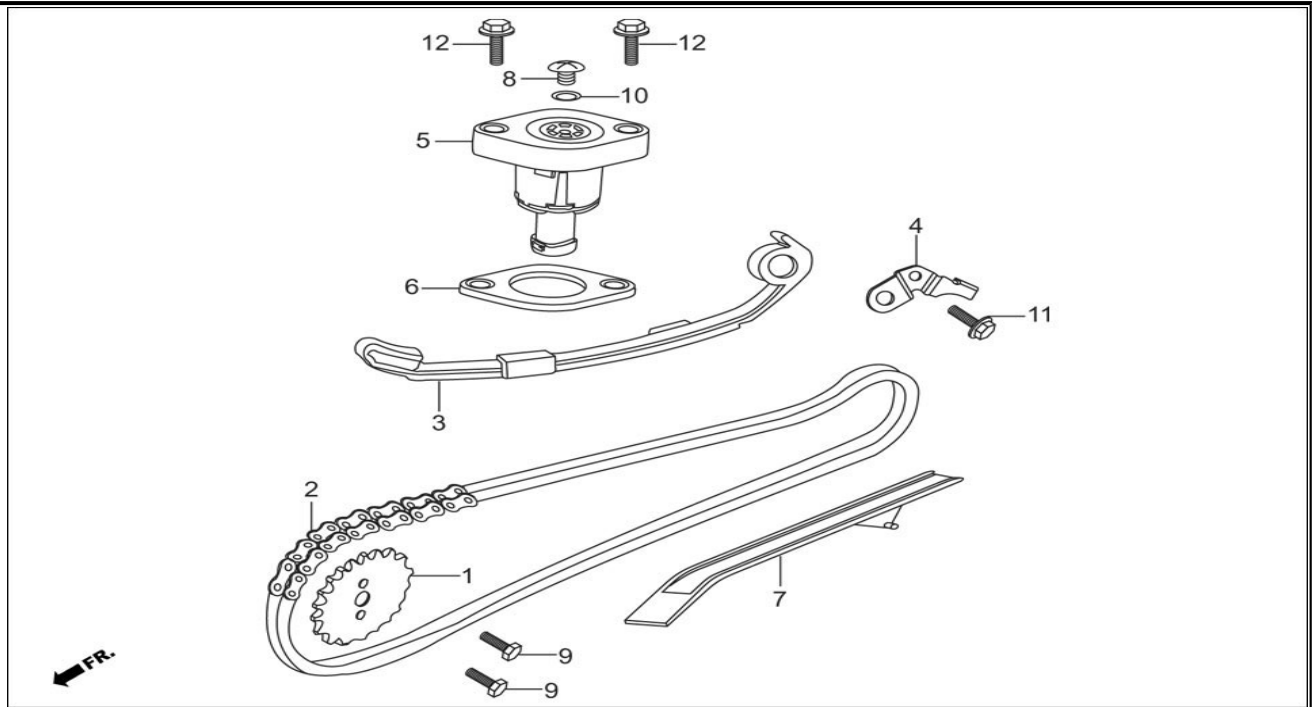
Service Item	F.R.T.	BOM Of Group Number: E-2 Model :: SUPER Splendor (May, 2012)			
		Ref No.	Part Number	Description	Req.
*CYLINDER	1.2	1	12100-KTC-A20	CYLINDER COMP	1
*GASKET, CYLINDER	1.1	2	12191-KPH-901	GASKET, CYLINDER	1
		3	12195-KPH-900	RUBBER , INSERT A	1
		4	12196-KPH-900	RUBBER , INSERT B	1
		5	12197-KPH-900	RUBBER , INSERT C	1
		6	94301-10120	DOWEL PIN, 10X12	2

E-3
CAM SHAFT/VALVE



Service Item	F.R.T.	BOM Of Group Number: E-3 Model :: SUPER Splendor (May, 2012)			
		Ref No.	Part Number	Description	Req.
SHAFT COMP., CAM	0.7	3	14100-KTC-900	SHAFT COMP., CAM	1
ARM, VALVE ROCKER (ONE OR ALL)	--	4	14431-KTC-900	ARM COMP., VALVE ROCKER	2
VALVE (ADD 0.2 FOR EACH (INC. REFACING) (EXC. VALVE GUIDE REPLACEMENT)	1.4	7	14711-KTC-900	VALVE, INLET	1
	--	8	14721-KTC-900	VALVE, EXHAUST	1
SPRING, VALVE	--	9	14751-KPH-900	SPRING, VALVE	2
	--	10	14771-GB4-680	RETAINER, VALVE SPRING	2
	--	11	14775-KFM-900	SEAT, VALVE SPRING OUTER	2
	--	12	14776-KPH-900	SEAT VALVE, SPRING	2
	--	13	14781-MA6-000	COTTER, VALVE	4
	--	14	90012-333-000R	SCREW, TAPPET ADJUSTING	2
	--	15	90206-001-000	NUT, TAPPET ADJUSTING	2
	--	16	90702-GB6-910	PIN, DOWEL, 8 X 12	1
	--	17	91105-KTC-900	BRG., ROCKER ARM SHAFT	2
	--	18	95701-06012-00	BOLT, FLANGE, 6X12	1

E-4
CAM CHAIN TENSIONER



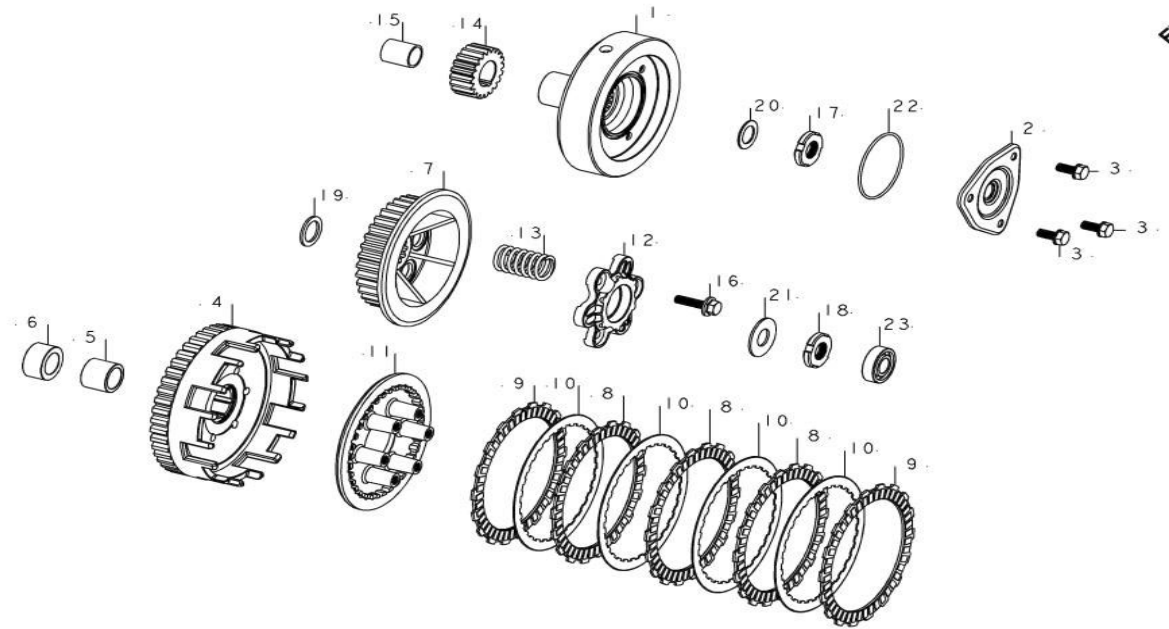
Service Item	F.R.T.	BOM Of Group Number: E-4 Model :: SUPER Splendor (May, 2012)			
		Ref No.	Part Number	Description	Req.
*SPROCKET, CAM(34T)	0.7	1	14321-KTC-900	SPROCKET,CAM (34T)	1
*CHAIN, CAM	1.6	2	14401-KTC-900	CHAIN, CAM	1
*TENSIONER ASSY. CAM CHAIN	1.7	3	14510-KTC-900	TENSIONER ASSY.,CAM CHAIN	1
*LIFTER ASSY. TENSIOZNER	0.4	4	14515-KTC-900	PLATE, TENSIONER SET	1
* GASKET TENSIONER LIFTER	--	5	14520-KTC-901	LIFTER ASSY., TENSIONER	1
* GUIDE CAM CHAIN	*2.8	6	14560-KSP-910	GASKET, TENSIONER LIFTER	1
		7	14610-KPH-900	GUIDE , CAM CHAIN	1
		8	90005-KY7-000	SCREW, PAN, 6X6	1
		9	90083-KVH-900	BOLT, KNOCK, 5 MM	2
		10	91306-MG3-000	'O'- RING, 1.5X9.5	1
		11	95701-06014-00	BOLT, FLANGE, 6 X 14	1
		12	96001-06022-00	BOLT, FLANGE, SH. 6 X 22	2

E-5
RIGHT CRANK CASE COVER

**IMAGE
NOT
PRESENT**

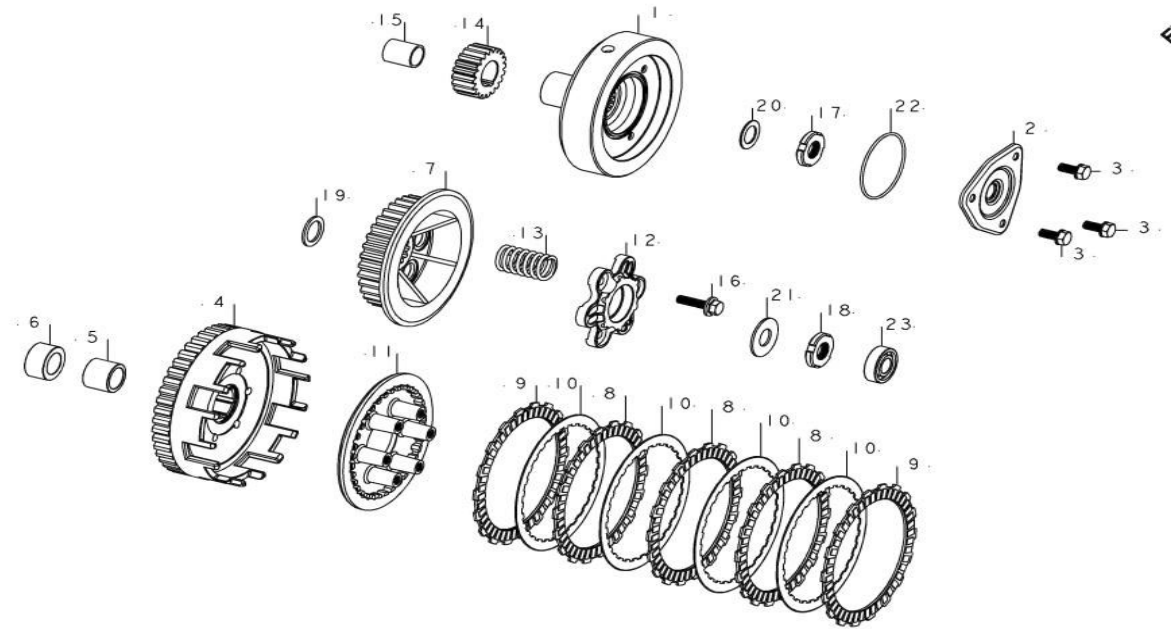
Service Item	F.R.T.	BOM Of Group Number: E-5 Model :: SUPER Splendor (May, 2012)			
		Ref No.	Part Number	Description	Req.
*COVER COMP., 'R' CRANK CASE	0.8	1	11133-KPH-900	OIL JET 0.8 MM	1
*GASKET, 'R' CRANK CASE COVER	0.6	2	11330-AAG-H00	COVER COMP R CRANK CASE	1
*LEVER COMP., CLUTCH (INC. RELATIVE PART)	0.7 --	3	11394-KPH-901	GASKET, R CRANK CASE COVER	1
*OIL SEAL 16X28X7	--	4	15611-KTC-900	CAP, OIL FILTER	1
		5	15661-KTC-900	FINDER, OIL LEVEL	1
		6	22810-KTC-900	LEVER COMP., CLUTCH	1
		7	22815-166-000	SPRING, CLUTCH LEVER	1
		8	22821-KTC-940	RECIEVER, CLUTCH CABLE	1
		9	22847-KCC-900	ROD, CLUTCH LIFTER	1
		10	90463-ML7-000	WASHER, SEALING 6.5 MM	1
		11	90702-GB6-910	PIN, DOWEL, 8 X 12	2
		12	91007-KPH-901	BRG., BALL RADIAL 6001 U SPL	1
		13	91204-MC7-003	OIL SEAL, 16 X 28 X 7	1
		14	91307-035-000	O-RING, 18 X 3	1
		15	91303-719-000	O-RING, 9 MM	1
		16	95701-06012-00	BOLT, FLANGE, 6X12	1
		17	96001-06040-00	BOLT, FLANGE, SH. 6 X 40	10

E-6 CLUTCH



Service Item	F.R.T.	BOM Of Group Number: E-6 Model :: SUPER Splendor (May, 2012)			
		Ref No.	Part Number	Description	Req.
ROTOR, OIL FILTER	0.9	1	15431-KTC-901	ROTOR, OIL FILTER	1
COVER, OIL FILTER	0.7	2	15441-KTC-900	COVER, OIL FILTER	1
PLATE, OIL SEPARATOR	1.1	3	15441-KTC-900A	BOLT, FLANGE 6 X 14 (PRE COATING)	3
OUTER COMP., CLUTCH	1.2	4	22100-KTC-902R	OUTER COMP., CLUTCH	1
CENTER, COMP. CLUTCH	--	5	22115-KPG-T00	GUIDE, CLUTCH OUTER	1
DISC B CLUTCH FRICTION (ONE OR ALL)	--	6	22116-KPG-T00	COLLAR, CLUTCH OUTER	1
(INC. RELATIVE PART)	--	7	22120-KTC-900	CENTER, COMP. CLUTCH	1
PLATE, CLUTCH PRESSURE	--	8	22201-KPG-T00	DISC CLUTCH FRICTION	3
PLATE, CLUTCH LIFTER	--	9	22205-KPG-T00	DISC 'B' CLUTCH FRICTION	2
SPRING CLUTCH (ONE OR ALL)	--	10	22321-KE8-000	PLATE,CLUTCH	4
		11	22350-KPG-T00	PLATE, CLUTCH PRESSURE	1
		12	22361-KPG-T00	PLATE, CLUTCH LIFTER	1
		13	22401-KPH-900	SPRING, CLUTCH	6
		14	23123-KGH-900	GEAR 'C', PRIMARY DRIVE (YELLOW)	1
		15	23125-KTC-901	COLLAR, PRIMARY DRIVE	1
		16	90050-KPH-900	SPECIAL BOLT, FLANGE, 6 X 20	3
		17	90231-087-000	NUT, LOCK, 14 MM	1
		18	90231-KM7-700	NUT, LOCK, 14 MM	1
		19	90403-KPH-900	WASHER THRUST, 17 MM	1
		20	90432-086-000	WASHER 'B' LOCK	1

E-6 CLUTCH



Service Item	F.R.T.	BOM Of Group Number: E-6 Model :: SUPER Splendor (May, 2012)			
		Ref No.	Part Number	Description	Req.
ROTOR, OIL FILTER	0.9				
COVER, OIL FILTER	0.7	21	90501-GBL-730	WASHER ,14 MM	1
PLATE, OIL SEPARATOR	1.1	22	91301-KTC-900	O-RING 49.5 X 1.7	1
OUTER COMP., CLUTCH	1.2	23	96100-62000-00	BEARING , RADIAL BALL, 6001	1
CENTER, COMP. CLUTCH	--				
DISC B CLUTCH FRICTION	--				
(ONE OR ALL)	--				
(INC. RELATIVE PART)	--				
PLATE, CLUTCH PRESSURE	--				
PLATE, CLUTCH LIFTER	--				
SPRING CLUTCH (ONE OR ALL)	--				

E-7
LEFT CRANK CASE COVER (KICK)

**IMAGE
NOT
PRESENT**

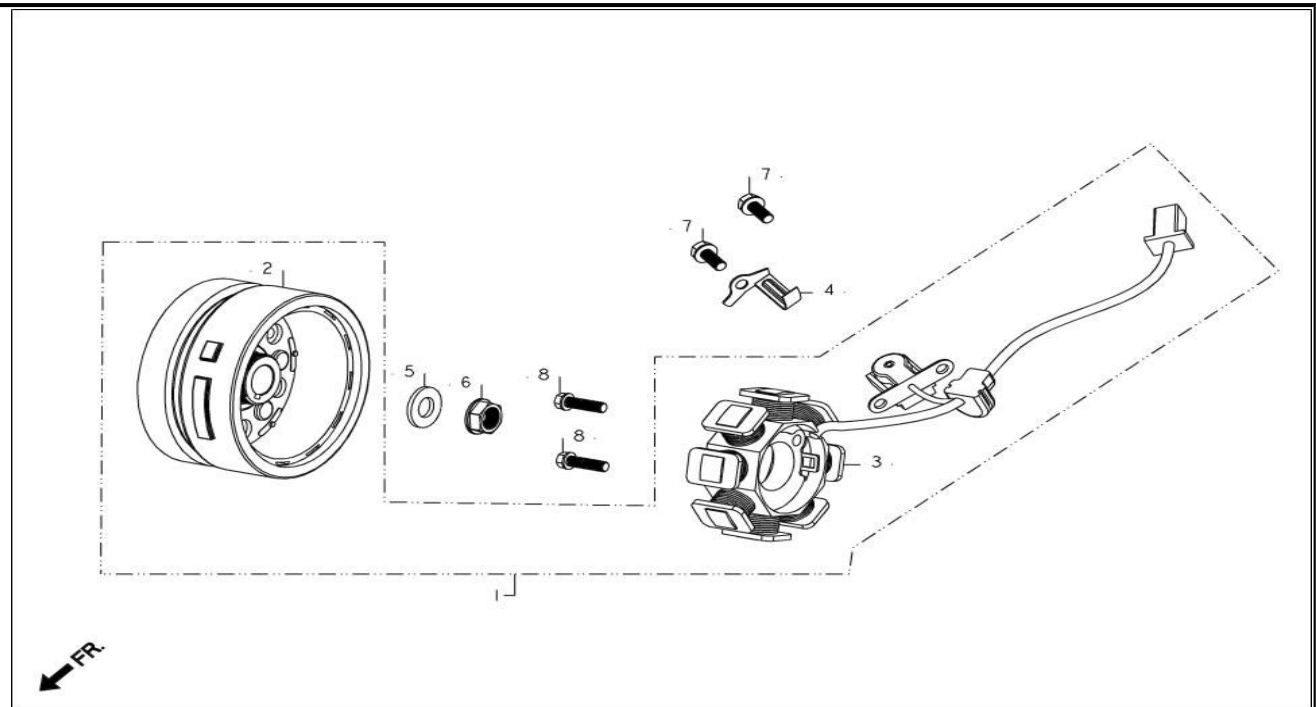
Service Item	F.R.T.	BOM Of Group Number: E-7 Model :: SUPER Splendor (May, 2012)			
		Ref No.	Part Number	Description	Req.
COVER,LEFT CRANK CASE	0.9	1	11341-AAG-H00	COVER LEFT CRANKCASE	1
COVER,COMP.L REAR	0.1	2	11360-KTC-A20	COVER, COMP. L REAR	1
GASKET L CRANK CASE COVER	0.6	3	11395-KPH-901	GASKET, L CRANK CASE COVER	1
		4	16236-KTC-900	CLAMPER, OVER FLOW TUBE	1
		5	90084-KRY-960	CAP, ACG (NH-35M)	1
		6	90087-KTC-A20	CAP, 30 MM,	1
		7	90702-GB6-910	PIN, DOWEL,8 X 12	2
		8	91303-377-000	'O'-RING, 13.8 X 2.5	1
		9	91356-KGH-901	'O'-RING, 30 MM	1
		10	96001-06025-00	BOLT, FLANGE, SH. 6 X 25	2
		11	96001-06035-00	BOLT, FLANGE, SH. 6 X 35	6
		12	96001-06040-00	BOLT, FLANGE, SH. 6 X 40	1

E-7A
LEFT CRANK CASE COVER (SELF START)

**IMAGE
NOT
PRESENT**

Service Item	F.R.T.	BOM Of Group Number: E-7A Model :: SUPER Splendor (May, 2012)			
		Ref No.	Part Number	Description	Req.
*COVER LEFT CRANK CASE	0.9	1	11341-AAG-H00	COVER LEFT CRANKCASE	1
*COVER COMP. L REAR	0.1	2	11360-KTC-A20	COVER, COMP. L REAR	1
*GASKET L CRANK CASE COVER	0.6	3	11395-KPH-901	GASKET, L CRANK CASE COVER	1
		4	16236-KTC-900	CLAMPER, OVER FLOW TUBE	1
		5	90084-KTC-A20	CAP, 14 MM	1
		6	90087-KTC-A20	CAP, 30 MM,	1
		7	90702-GB6-910	PIN, DOWEL,8 X 12	2
		8	91303-377-000	'O'-RING, 13.8 X 2.5	1
		9	91356-KGH-901	'O'-RING, 30 MM	1
		10	96001-06025-00	BOLT, FLANGE, SH. 6 X 25	2
		11	96001-06028-00	BOLT, FLANGE, SH. 6X28	2
		12	96001-06035-00	BOLT, FLANGE, SH. 6 X 35	6

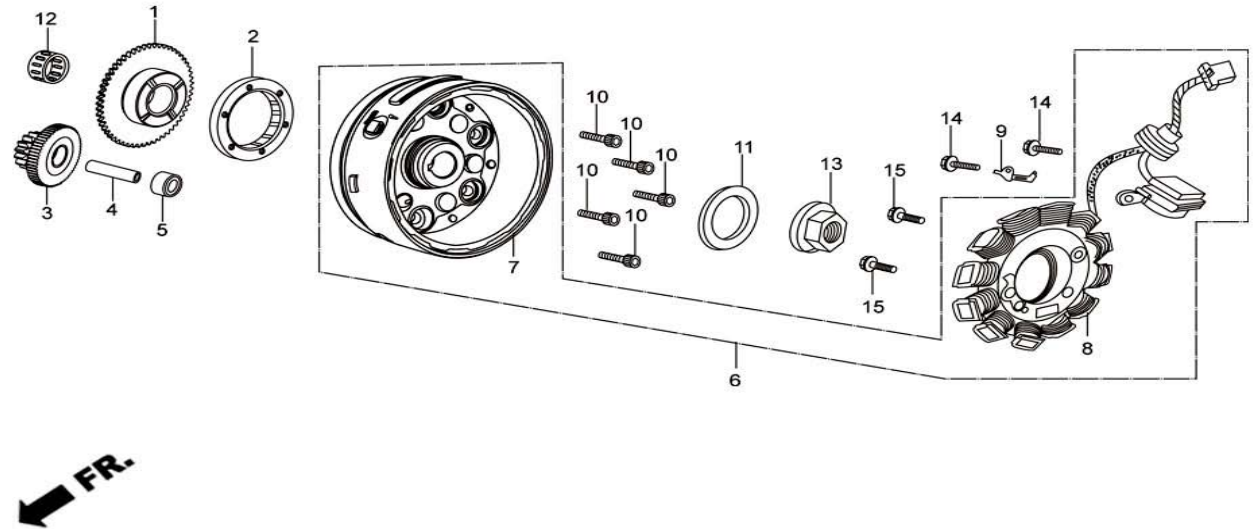
E-7B
A.C. GEN. ASSY.



Service Item	F.R.T.	BOM Of Group Number: E-7B Model :: SUPER Splendor (May, 2012)			
		Ref No.	Part Number	Description	Req.
A.C. GEN ASSY.	0.9	1	31100-KTR-A01	A.C. GEN. ASSY.	1
FLYWHEEL, COMP.,	--	2	31110-KTR-A01	FLYWHEEL COMP.,	1
STATOR, COMP.,	--	3	31120-KTR-A01	STATOR COMP.,	1
		4	32961-KPH-900	CLAMPER, ACG CORD	1
		5	90439-SB2-010	WASHER, 24 X 12 X 2.3	1
		6	94050-12000	NUT, FLANGE, 12 MM	1
		7	96001-06016-00	BOLT, FLANGE SH. 6 X 16	2
		8	96001-06022-00	BOLT, FLANGE, SH. 6 X 22	2

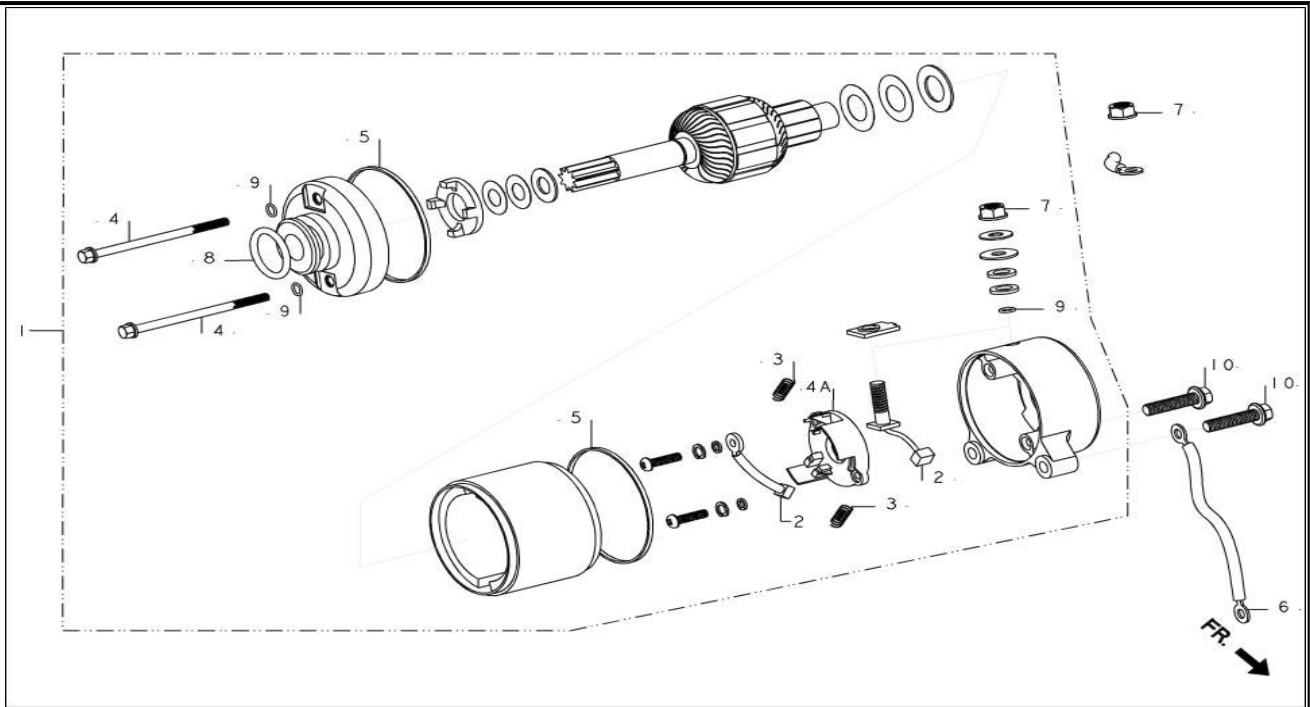
E-7C

A.C.GEN. ASSY. /STARTING CLUTCH (SELF START)



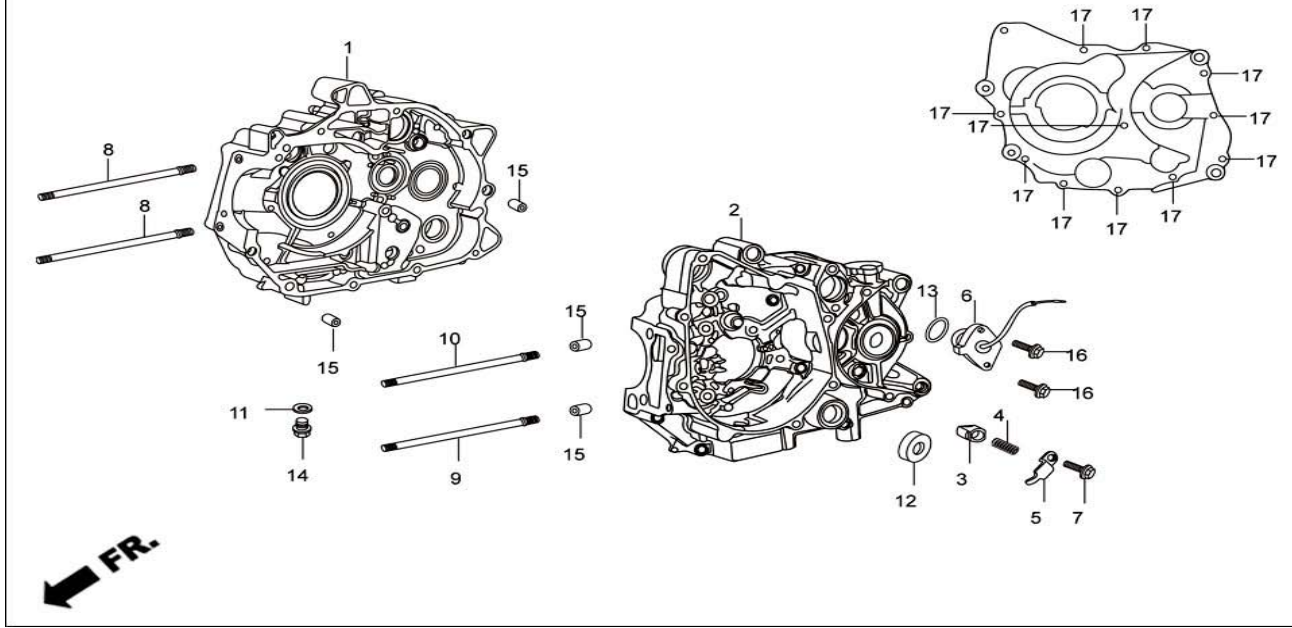
Service Item	F.R.T.	BOM Of Group Number: E-7C Model :: SUPER Splendor (May, 2012)			
		Ref No.	Part Number	Description	Req.
*GEAR COMP. STARTER DRIVEN	--	1	28110-KTC-921	GEAR COMP., STARTER DRIVEN	1
*OUTER COMP.STARTING CLUTCH	0.7	2	28120-KTR-A00A	ASSY. ONEWAY CLUTCH	1
*A.C.GEN.ASSY.,	0.9	6	31100-KTR-A01	A.C. GEN. ASSY.	1
*FLYWHEEL, COMP.,	--	7	31110-KTR-A01	FLYWHEEL COMP.,	1
*STATOR, COMP.,	--	8	31120-KTR-A01	STATOR COMP.,	1
		3	28131-KTC-920	GEAR, STARTER REDUCTION (17T)	1
		4	28132-KPH-900	SHAFT, REDUCTION GEAR	1
		5	28133-KPH-900	COLLAR, STARTER REDUCTION	1
		9	32961-KPH-900	CLAMPER, ACG CORD	1
		10	90085-KTC-920	BOLT, SOCKET, 6 X 14	6
		11	90439-SB2-010	WASHER, 24 X 12 X 2.3	1
		12	91071-KTC-900	BEARING NEEDLE, 21 X 25 X 18	1
		13	94050-12000	NUT, FLANGE, 12 MM	1
		14	96001-06016-00	BOLT, FLANGE SH. 6 X 16	2
		15	96001-06022-00	BOLT, FLANGE, SH. 6 X 22	2

E-7D STARTER MOTOR



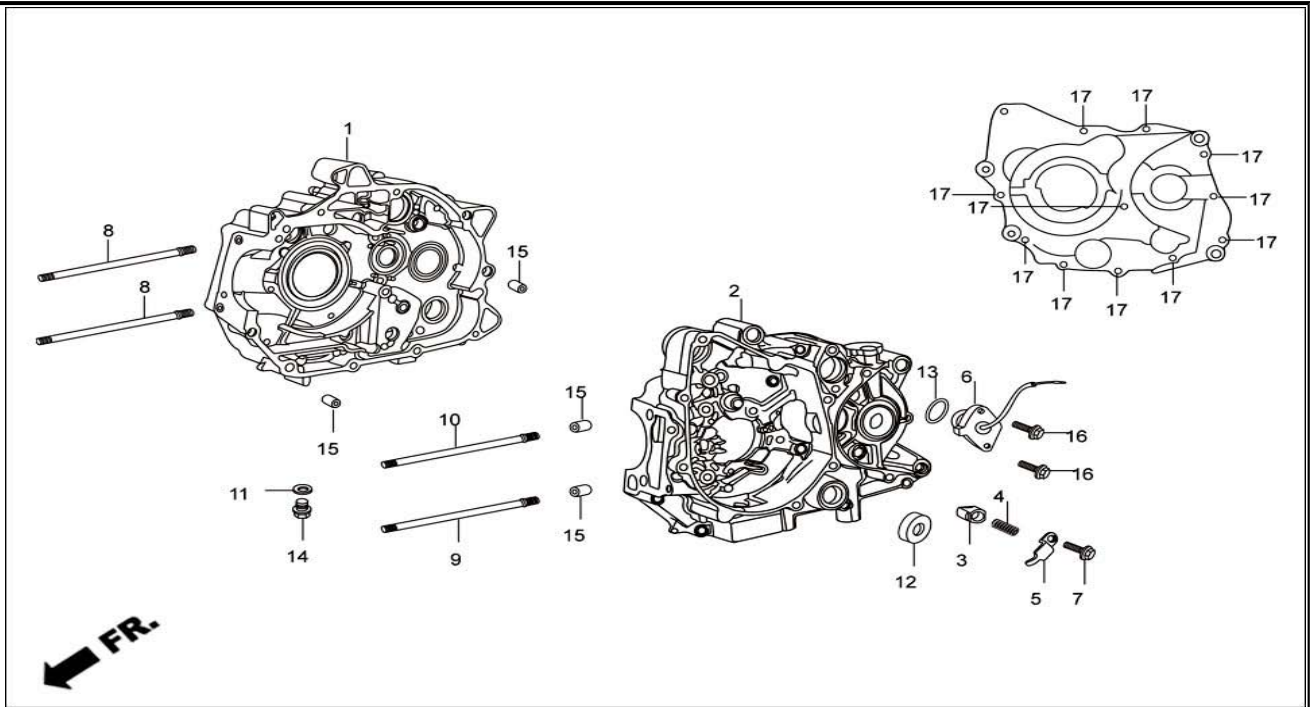
Service Item	F.R.T.	BOM Of Group Number: E-7D Model :: SUPER Splendor (May, 2012)			
MOTOR ASSY., STARTER	0.7	Ref No.	Part Number	Description	Req.
BRUSH, TERMINAL SET	0.9	1	31200-KTC-921	MOTOR ASSY., STARTER	1
		2	31201-KPT-A01	BRUSH, TERMINAL SET	1
		3	31204-KG8-004	BRUSH, SPRING	2
		4	31205-KTC-921	BOLT, SET	2
		4A	31206-KPW-901	BRUSH, HOLDER SET	1
		5	31207-MBE-008	RING	2
		6	32601-KTR-A00	CABLE, BATTERY EARTH	1
		7	90071-MB0-000	NUT, WASHER, 6 MM	2
		8	91309-425-003	`O' RING 24.4X3.1	1
		9	91320-MB0-000	'O' RING	3
		10	95701-06025-00	BOLT, FLANGE, 6X 25	2

E-8 CRANK CASE



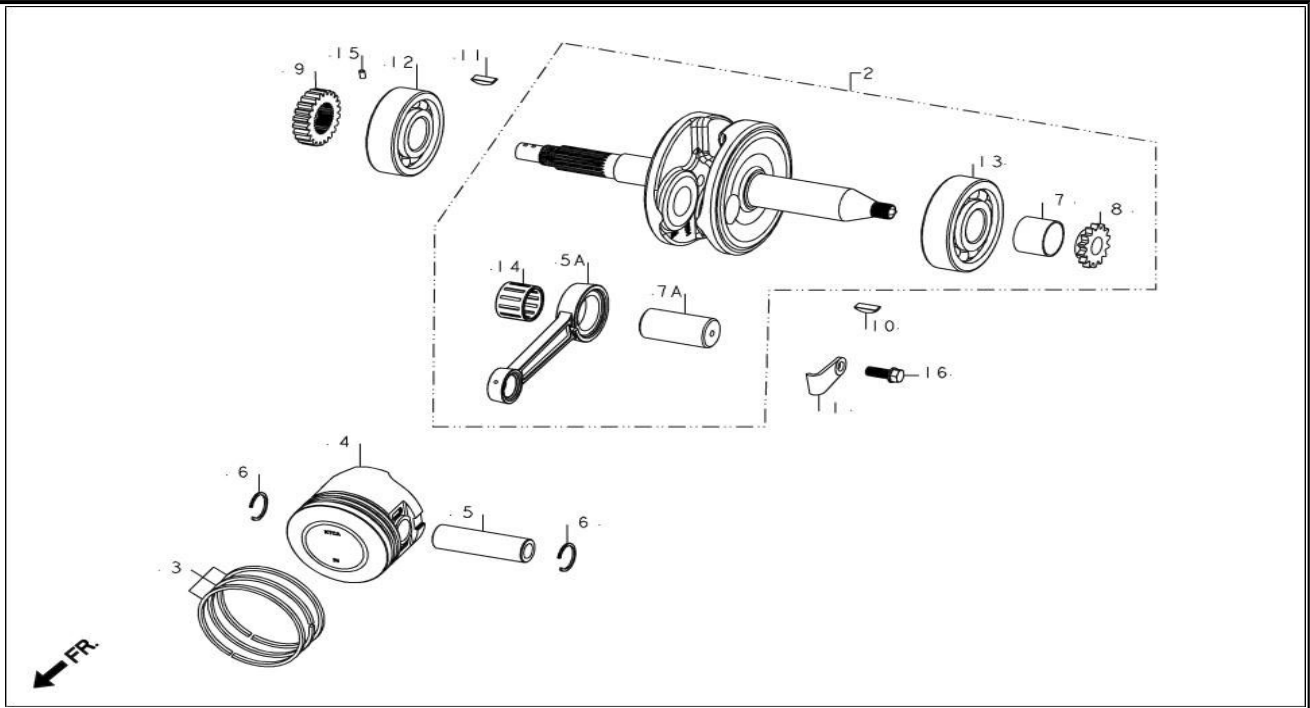
Service Item	F.R.T.	BOM Of Group Number: E-8 Model :: SUPER Splendor (May, 2012)			
		Ref No.	Part Number	Description	Req.
*CRANK CASE COMP., 'R'	*4.2	1	11100-KTC-A20	CRANK CASE COMP. RIGHT	1
*CRANK CASE COMP., 'L'	*4.8	2	11200-KTC-A20	CRANK CASE COMP. LEFT	1
*BOLT, CYLINDER STUD	1.3	8	90031-KTC-900	BOLT STUD, CYL	2
(ADD 0.1 FOR EACH)	--	9	90032-KTC-900	BOLT STUD, CYL	1
		10	90033-KTC-900	BOLT STUD, CYL	1
		11	90407-259-000	PACKING,DRAIN COCK, 12.5 X 20	1
		12	91208-KPH-901	OIL SEAL, 11.6 X 24 X 10	1
		13	91305-KPH-900	O-RING,19.4 X 2.3	1
		14	92800-12000-00	BOLT, DRAIN PLUG, 12MM	1
		14A	93301-05012-OJ	BOLT, HEX ., 5 X 12	1
		15	94301-10120	DOWEL PIN, 10X12	4
		15A	94540-06018	E-RING, 6 MM	1

E-8
CRANK CASE



Service Item	F.R.T.	BOM Of Group Number: E-8 Model :: SUPER Splendor (May, 2012)			
		Ref No.	Part Number	Description	Req.
*CRANK CASE COMP., 'R'	*4.2	16	95701-06016-00	BOLT, FLANGE, 6X16	2
*CRANK CASE COMP., 'L'	*4.8	17	96001-06060-00	BOLT, FLANGE, SH. 6 X 60	11
*BOLT, CYLINDER STUD	1.3				
(ADD 0.1 FOR EACH)	--				

E-9 CRANK SHAFT/PISTON

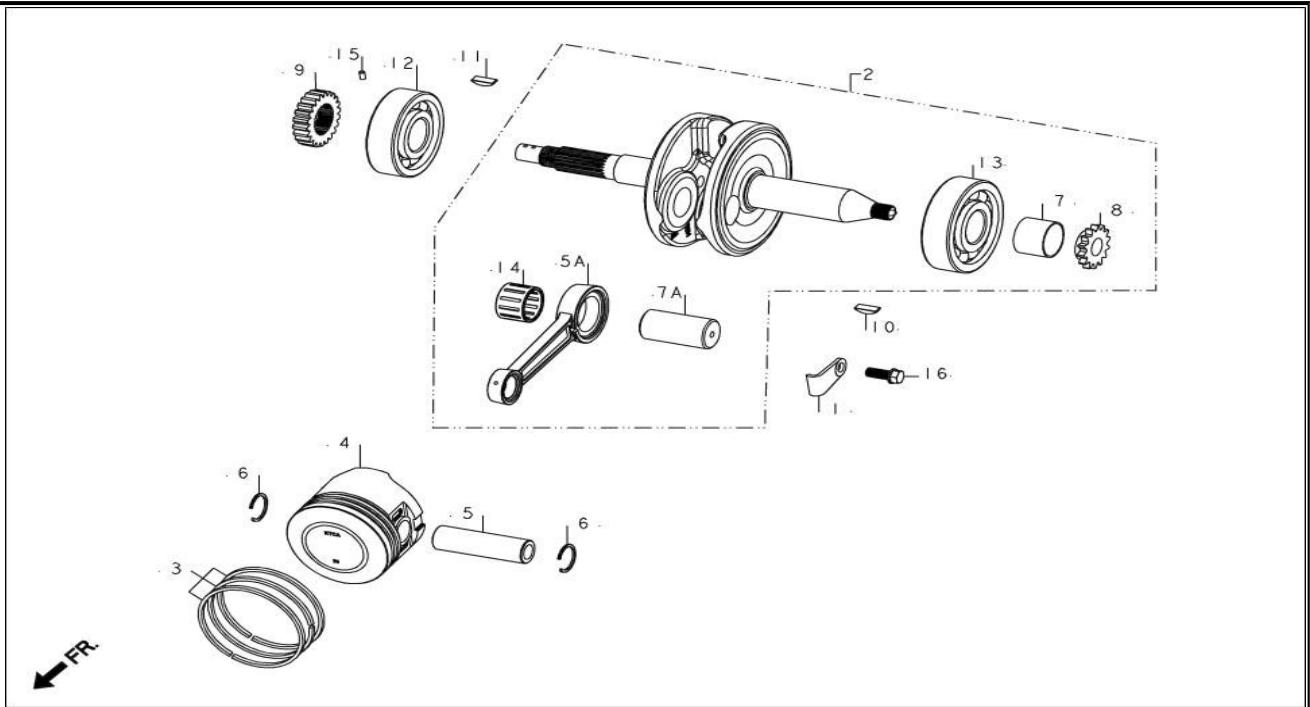


Service Item	F.R.T.
CRANK SHAFT COMP.,	4.0
RING SET, PISTON	1.3
PISTON	--
PIN, PISTON	1.2
ROD, CONNECTING (ACTUAL TIME)	--
BEARING BALL RADIAL 6203 (ADD 0.2 FOR EACH)	4.2

BOM Of Group Number: E-9 Model :: SUPER Splendor (May, 2012)

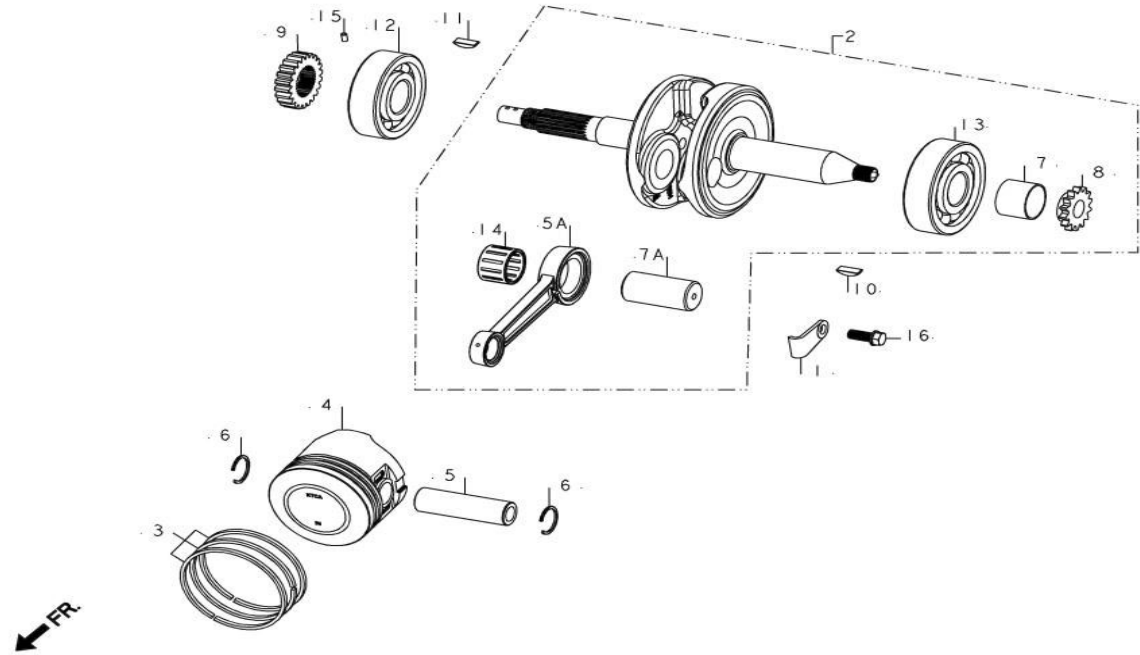
Ref No.	Part Number	Description	Req.
1	11208-KTC-900	PLATE, BEARING SET	3
2	13000-KTC-902	CRANK SHAFT COMP.	1
3	13011-KTC-305	RING SET, PISTON (STD)	1
	13021-KTC-305	RING SET, PISTON (O.S 0.25)	1
	13031-KTC-305	RING SET, PISTON (O.S 0.50)	1
	13041-KTC-305	RING SET, PISTON (O.S 0.75)	1
	13051-KTC-305	RING SET, PISTON (O.S 1.00)	1
4	13101-KTC-900	PISTON	1
	13102-KTC-305	PISTON (O.S. 0.25)	1
	13103-KTC-305	PISTON (O.S. 0.50)	1
	13104-KTC-305	PISTON (O.S. 0.75)	1
	13105-KTC-305	PISTON (O.S. 1.00)	1
5	13111-087-000	PIN, PISTON	1
5A	13201-KFL-850	ROD, CONNECTING	1
6	13115-001-000	CLIP, PISTON PIN	2
7	13322-KTC-900	COLLAR, CRANK SHAFT LEFT	1
7A	13381-KPH-900	PIN, CRANK	1
8	14311-KPH-900	SPROCKET, TIMING	1
9	15341-KTC-900	GEAR, OIL PUMP DRIVE, (19T)	1
10	90741-003-000	KEY, WOODRUFF, 4 MM	1

E-9 CRANK SHAFT/PISTON



Service Item	F.R.T.	BOM Of Group Number: E-9 Model :: SUPER Splendor (May, 2012)			
		Ref No.	Part Number	Description	Req.
CRANK SHAFT COMP.,	4.0	11	90741-KGH-900	KEY, WOODRUFF, 4 MM	1
RING SET, PISTON	1.3	12	91001-KTC-900	BRG. ROLLER, 22 X 58 X 17	1
PISTON	--	13	91002-KTC-901	BRG. BALL RADIAL, 63/22 SPL	1
PIN, PISTON	1.2	14	91102-GF6-000R	BEARING, CONNECTING ROD(BLUE)	1
ROD, CONNECTING (ACTUAL TIME)	--		91101-GF6-000R	BEARING,CONNECTING ROD (RED)	1
BEARING BALL RADIAL 6203	4.2		91103-GF6-000R	BEARING, CONNECTING ROD (WHITE)	1
(ADD 0.2 FOR EACH)	--	15	94303-03050	DOWEL PIN 3 X 5	1
		16	95701-06016-00	BOLT, FLANGE, 6X16	3

E-9 CRANK SHAFT/PISTON

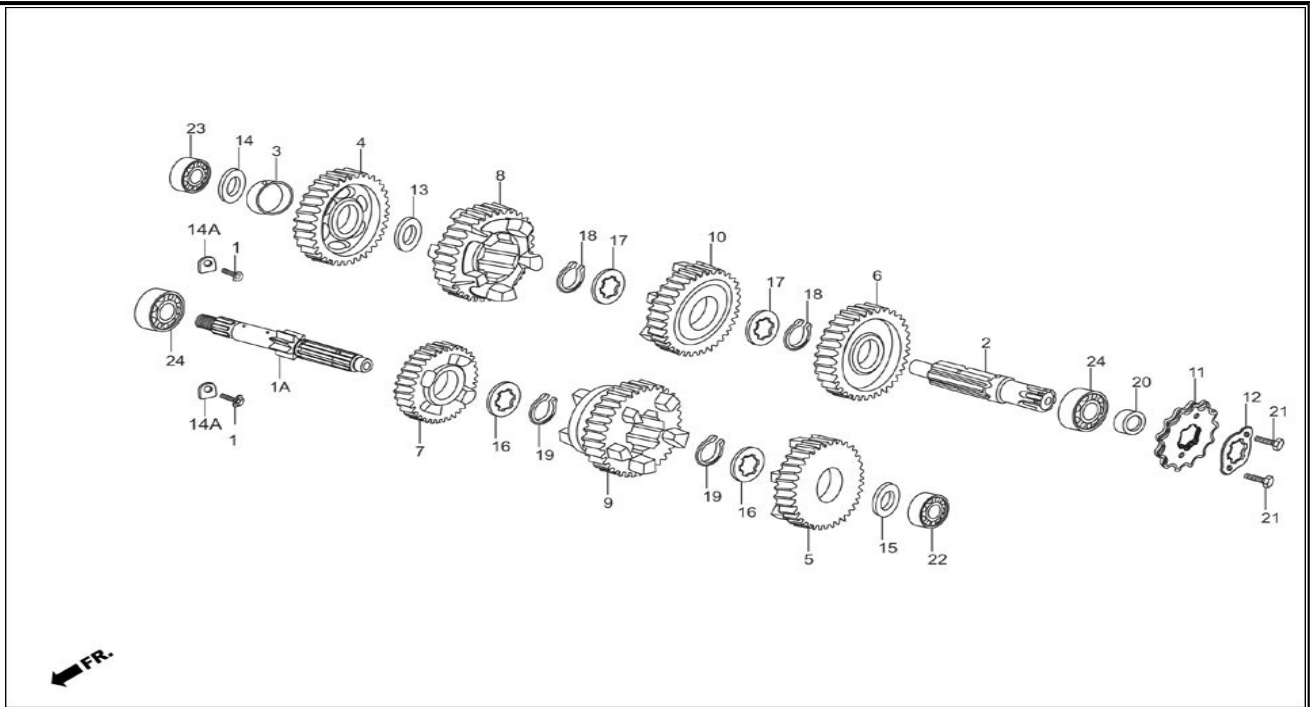


Service Item	F.R.T.
CRANK SHAFT COMP.,	4.0
RING SET, PISTON	1.3
PISTON	--
PIN, PISTON	1.2
ROD, CONNECTING (ACTUAL TIME)	--
BEARING BALL RADIAL 6203	4.2
(ADD 0.2 FOR EACH)	--

BOM Of Group Number: E-9Model :: SUPER Splendor (May, 2012)

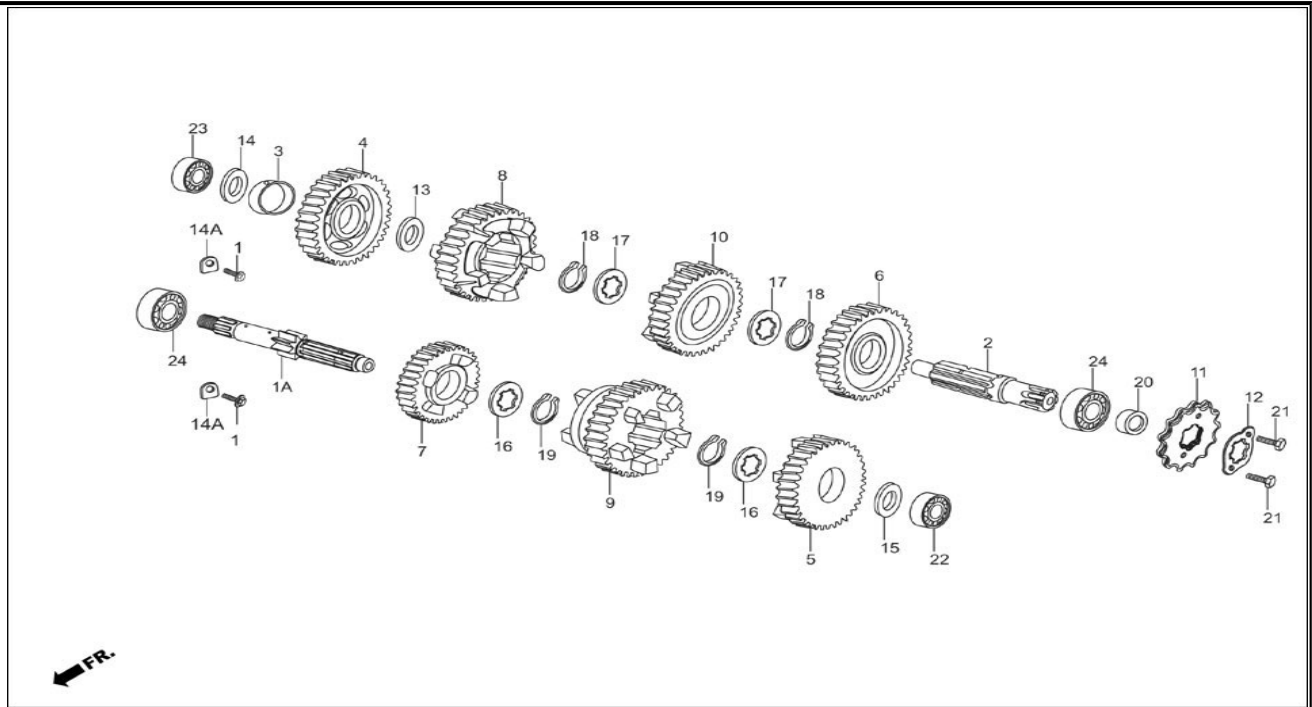
SELECTION TABLE OF CONNECTING ROD BIG END BEARING						SELECTION TABLE OF CONNECTING ROD BIG END BEARING					
Connecting rod code	Crank Pin CODE (Colour)					Connecting rod code	Crank Pin CODE (Colour)				
	1 (Green)	2 (Yellow)	3 (White)	4 (Blue)	5 (Brown)		1 (Green)	2 (Yellow)	3 (White)	4 (Blue)	5 (Brown)
B	91101-GF6-0000 (Red)					E				91101-GF6-0000 (Red)	
A	91102-GF6-0000 (Blue)					C				91102-GF6-0000 (Blue)	
C		91101-GF6-0000 (Red)				A				91103-GF6-0000 (White)	
A		91102-GF6-0000 (Blue)				F				91101-GF6-0000 (Red)	
D			91101-GF6-0000 (Red)			D				91102-GF6-0000 (Blue)	
B			91102-GF6-0000 (Blue)							91103-GF6-0000 (White)	
A			91103-GF6-0000 (White)			B					

E-10 TRANSMISSION



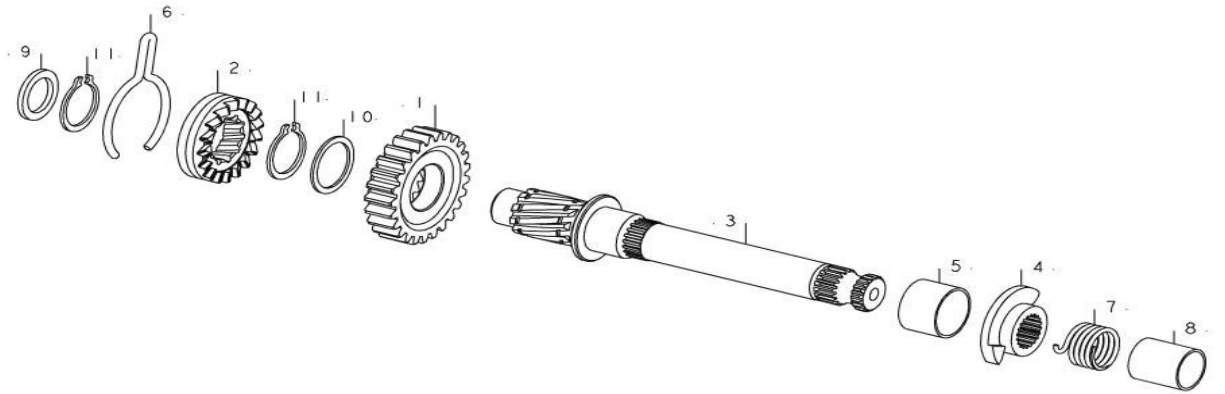
Service Item	F.R.T.	BOM Of Group Number: E-10 Model :: SUPER Splendor (May, 2012)			
		Ref No.	Part Number	Description	Req.
*MAIN SHAFT (INC. RELATIVE PART)	*4.0	1	15441-KTC-900A	BOLT, FLANGE 6 X 14 (PRE COATING)	2
*COUNTER SHAFT (INC. RELATIVE PART)	--	1A	23211-KTR-940	SHAFT, MAIN, 13T	1
(WHEN SERVICING COMP., UNIT)	--	2	23221-KTR-940	SHAFT, COUNTER	1
*SPROCKET, DRIVE	0.2	3	23415-KPH-900	BUSH, 15 MM	1
		4	23421-KTC-900	GEAR, C-1 36T	1
		5	23431-KPH-900	GEAR, M-2 20T	1
		6	23441-KTC-901	GEAR, C-2 30T	1
		7	23451-KTC-901	GEAR, M3 21T	1
		8	23461-KTC-901	GEAR, C-3 23T	1
		9	23471-KTC-902	GEAR, M-4 23T	1
		10	23481-KTC-902	GEAR, C-2 21T	1
		11	23801-GF6-000	SPROCKET, DRIVE (14T)	1
		12	23802-GN5-910	PLATE, DRIVE SPROCKET FIXING	1
		13	90412-187-000	WASHER THRUST	1
		14	90412-KPH-900	WASHER SPL., 12 X 23	1
		14A	90441-KA4-700	PLATE, BRG. HOLD	2
		15	90452-KGH-900	WASHER SPL. 12 MM	1
		16	90461-KTC-900	WASHER, SPLINE 17 MM	2
		17	90461-GB4-770	WASHER, SPLINE, 20 X 1.2	2
		18	90601-KTC-900	CIRCLIP, 17 MM	2

E-10 TRANSMISSION



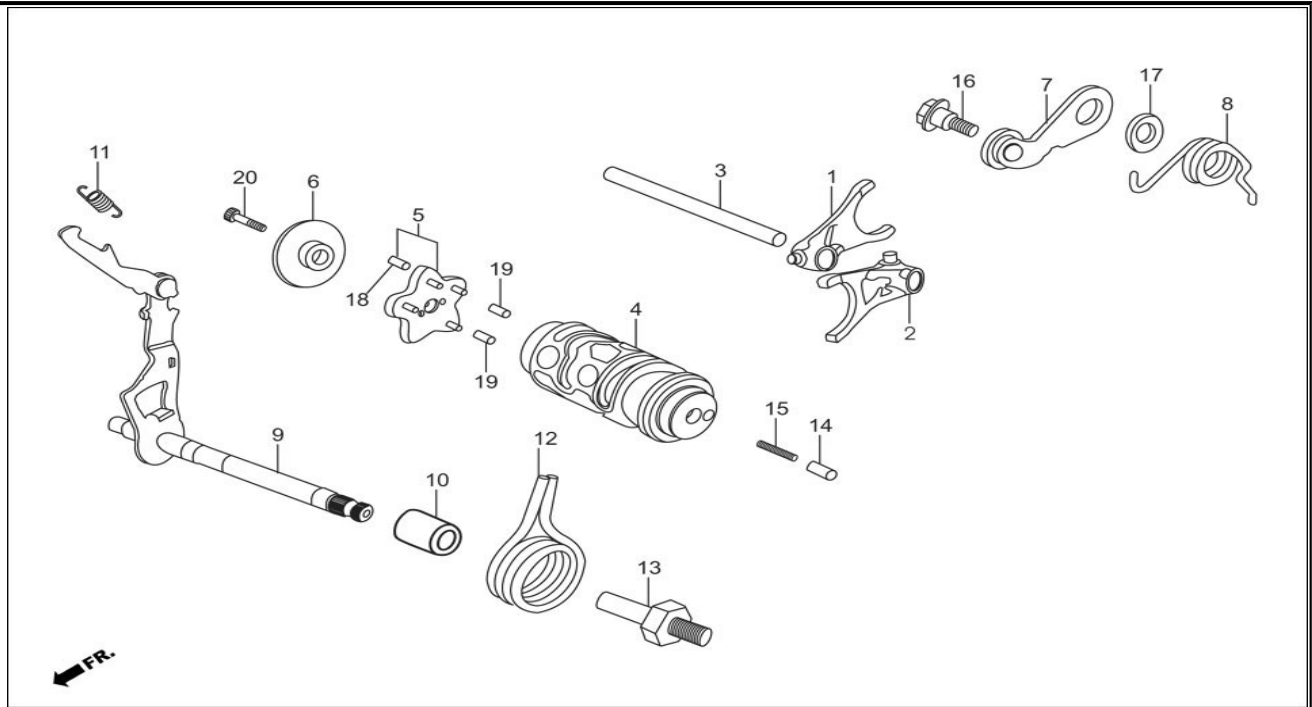
Service Item	F.R.T.	BOM Of Group Number: E-10 Model :: SUPER Splendor (May, 2012)			
		Ref No.	Part Number	Description	Req.
*MAIN SHAFT (INC. RELATIVE PART)	*4.0 --	19	90605-KTC-900	SET RING, 20 MM	2
*COUNTER SHAFT (INC. RELATIVE PART)	--	20	91204-KPH-901	OIL SEAL, 17 X 30 X 5	1
(WHEN SERVICING COMP., UNIT)	--	21	92101-06010-0A	BOLT, HEX., 6 X 10	2
*SPROCKET, DRIVE	0.2	22	96100-60010-00	BEARING , RADIAL BALL , 6001	1
		23	96100-62010-00	BEARING, RADIAL BALL, 6201	1
		24	96100-62030-00	BEARING, RADIAL BALL, 6203	2

E-11
KICK STARTER



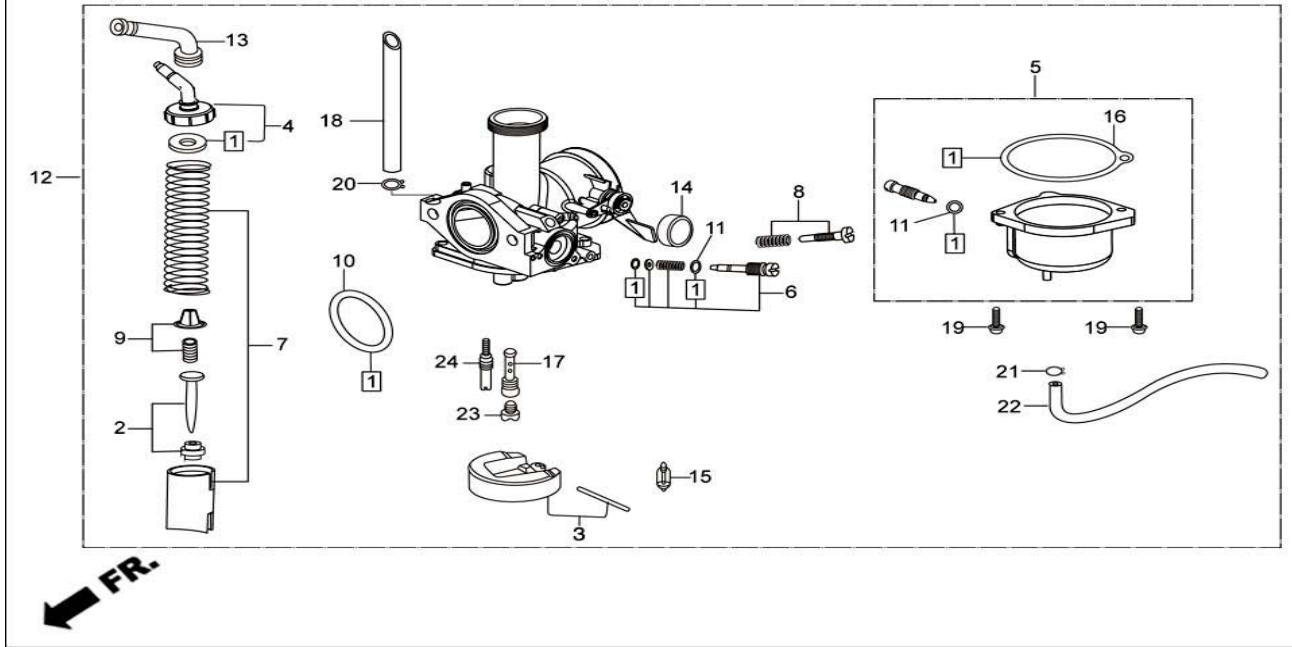
Service Item	F.R.T.	BOM Of Group Number: E-11 Model :: SUPER Splendor (May, 2012)			
		Ref No.	Part Number	Description	Req.
PINION, KICK STARTER	3.7	1	28211-KTC-900	PINION, KICK STARTER	1
SPINDLE, KICK STARTER (INC. RELATIVE PART)	--	2	28221-KTC-900	RATCHET, STARTER DRIVE	1
SPRING, KICK STARTER (INC. RELATIVE PART)	1.1	3	28251-KTC-900	SPINDLE, KICK STARTER	1
	--	4	28262-KTC-900	RETAINER, KICK SPRING	1
		5	28265-KPH-900	COLLAR, KICK RETAINER	1
		6	28271-KPH-900	SPRING, FRICTION, STARTER PINION	1
		7	28281-KPH-900	SPRING, KICK RETURN	1
		8	28282-KPH-900	COLLLAR, KICK SPRING	1
		9	90452-KPH-900	WASHER THRUST, 15.5 MM	1
		10	90454-KPH-900	WASHER, 25 X 20.2 X 1	1
		11	90605-KTC-900	SET RING, 20 MM	2

E-12 GEAR SHIFT



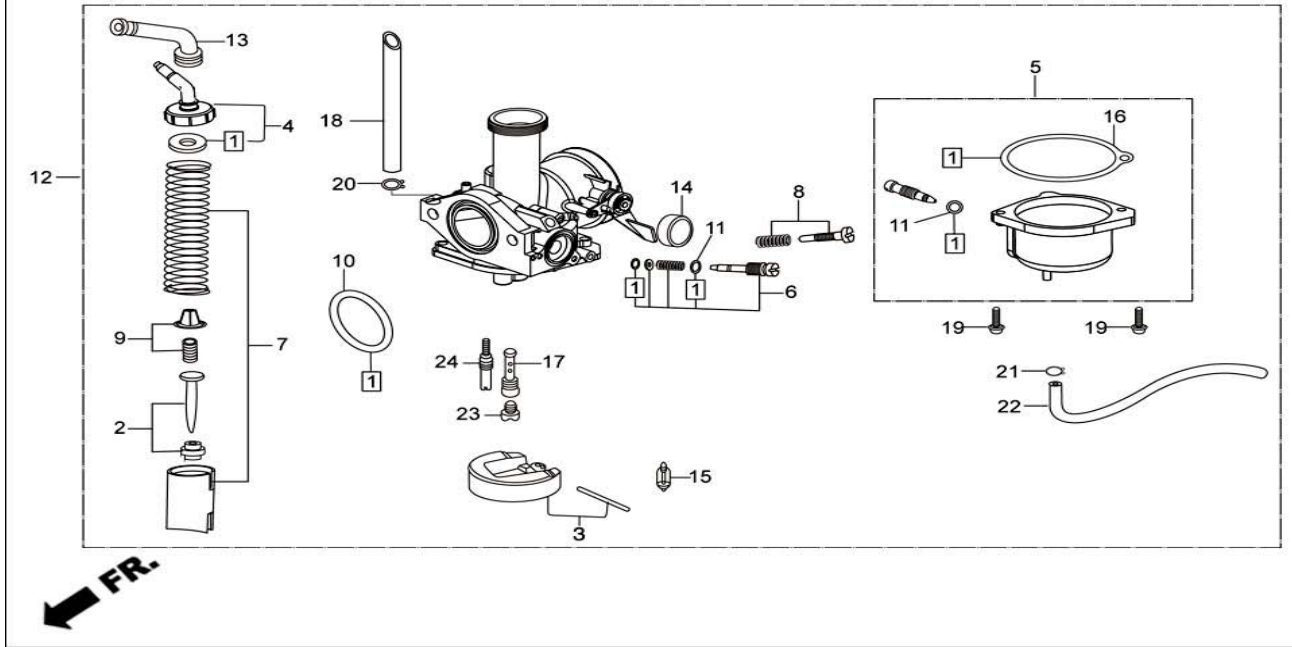
Service Item	F.R.T.	BOM Of Group Number: E-12 Model :: SUPER Splendor (May, 2012)			
		Ref No.	Part Number	Description	Req.
*FORK GEAR SHIFT (ONE OR ALL)	*3.8 --	1	24211-KTC-900	FORK `R` GEAR SHIFT	1
*DRUM, GEAR SHIFT	--	2	24212-KTC-900	FORK, L GEAR SHIFT	1
*PLATE, SHIFT DRUM STOPPER	--	3	24241-KPH-900	SHAFT, GEAR SHIFT FORK	1
*ARM COMP., SHIFT DRUM STOPPER (INC. RELATIVE PART)	--	4	24301-KTC-900	DRUM ,GEARSHIFT	1
*SPINDLE COMP., GEAR SHIFT (INC. RELATIVE PART)	1.2 --	5	24410-KTC-900	PLATE COMP., SHIFT DRUM STOPPER	1
*CONTACT ASSY., NEUTRAL SWITCH	-- 0.2	6	24421-KTC-900	HOLDER, DRUM STOPPER	1
		7	24430-KTC-900	STOPR. COMP., GEAR SHIFT DRUM	1
		8	24435-KTC-900	SPRING, SHIFT DRUM STOPPER	1
		9	24610-KTR-940	SPINDLE COMP., GEAR SHIFT	1
		10	24639-KPG-T00	COLLAR, 12.2 MM	1
		11	24641-KTC-900	SPRING, GEAR SHIFT ARM	1
		12	24651-KTC-900	SPRING, GEAR SHIFT, RETURN	1
		13	24652-KPH-900	PIN, SHIFT RETURN SPRING	1
		14	35751-KPH-900	CAP, CONTACT CHANGE SW.	1
		15	35752-KRM-840	SPRING, CONN. CHANGE SW.	1
		16	90022-MG8-000	PIVOT, SHIFT DRUM STOPR. ARM	1
		17	90435-HB3-000	WASHER, 6.1 MM	1
		18	91111-KW7-900	ROLLER, 4 X 10.8	4
		19	96220-30085	ROLLER, 3 X 8.5	2
		20	96700-06018-00	SOCKET, BOLT, 6 X 18	1

E-13 CARBURETTOR



Service Item	F.R.T.	BOM Of Group Number: E-13 Model :: SUPER Splendor (May, 2012)			
		Ref No.	Part Number	Description	Req.
*NEEDLE SET, JET	0.5	1	16010-KWS-901	GASKET SET	1
*CARBURETTOR ASSY.	--	2	16012-KTC-A21	NEEDLE, SET JET	1
*FLOAT SET	0.4	3	16013-KRB-901	FLOAT, SET	1
*TOP SET	0.2	4	16014-KTR-A01	TOP SET	1
*CHAMBER SET, FLOAT	--	5	16015-KTR-A01	CHAMBER SET, FLOAT	1
*VALVE SET, THROTTLE	0.3	6	16016-KPH-651	SCREW SET 'A'	1
		7	16022-KTR-A01	VALVE SET, THROTTLE	1
		8	16028-KTT-901	SCREW SET	1
		9	16037-KPH-901	PLATE SET, VALVE	1
		10	16075-KTC-901	O-RING	1
		11	16076-KPL-901	O-RING	2
		12	16100-KTC-A21	CARBURETTOR ASSY.	1
		13	16118-KTR-A01	CAP, CABLE SEALING	1
		14	16148-KPL-901	CAP, DUST	1
		15	16155-KRS-861	VALVE COMP., FLOAT	1
		16	16163-KWS-901	GASKET, FLOAT CHAMBER	1
		17	16165-KTR-A01	HOLDER, NEEDLE JET	1
		18	16199-KCP-J01	TUBE, AIR VENT	1
		19	93892-04018-08	SCREW WASH 4X18	2
		20	95002-02089	CLIP, B1 8 TUBE	1

E-13 CARBURETTOR



Service Item	F.R.T.	BOM Of Group Number: E-13 Model :: SUPER Splendor (May, 2012)			
		Ref No.	Part Number	Description	Req.
*NEEDLE SET, JET	0.5	21	95002-02659	CLIP, B-1, 6.5 TUBE	1
*CARBURETTOR ASSY.	--	22	95005-35310-50	TUBE, OVER FLOW	1
*FLOAT SET	0.4	23	99101-KTT-0980	JET, MAIN # 105	1
*TOP SET	0.2	24	99103-KTR-0350	JET, SLOW, # 35	1
*CHAMBER SET, FLOAT	--				
*VALVE SET, THROTTLE	0.3				

F-1
LIGHT ASSY. HEAD

**IMAGE
NOT
PRESENT**

Service Item	F.R.T.	BOM Of Group Number: F-1 Model :: SUPER Splendor (May, 2012)			
		Ref No.	Part Number	Description	Req.
*LIGHT ASSY. HEAD	0.1				
*UNIT HEADLIGHT	--	1	3310A-AAG-H20	LIGHT ASSY HEAD(W/O BULB)	1
(INC. RELATIVE PART)	--	2	33108-KRY-900	SPRING, SPC(BULB HOLDER)	1
*BLUB, HEADLIGHT	--	3	33110-AAG-H01	UNIT HEAD LIGHT	1
*SOCKET ASSY., HEADLIGHT	0.2	4	33126-KTC-900	COVER, RUBBER	1
*STAY, COMP. FR. COWL	--	5	33128-GBL-000	NUT, SPECIAL	1
*STAY, FRONT WINKER	--	6	33150-KTC-A20	SOCKET ASSY., HEAD LIGHT	1
*PANEL, INNER	--	7	34901-KSP-910	BULB, HEAD LIGHT	1
*COWL, FRONT	--	8	34908-GA7-700	BULB, WEDGE BASE (12V - 3W)	1
		9	53209-GAH-000	CLIP, HEADLIGHT	2
		10	50451-GB6-920	RUBBER, TAIL LIGHT SET	2
		11	61105-KTC-900	RUBBER, FRONT FENDER MOUNTING	3
		12	61300-KTC-A20ZA	SET,FRONT COWL (BLACK-1)	1
			61300-KTC-A20ZB	SET, FRONT COWL (BLACK-2)	1
			61300-KTC-A20ZC	SET, FRONT COWL (BLACK-3)	1
			61300-KTC-A20ZD	SET, FRONT COWL (FORCE SILVER ME.)	1
			61300-KTC-A20ZE	SET, FRONT COWL (CANDY BLAZING RED)	1
			61300-KTC-A20ZF	SET, FRONT COWL (VIBRANT BLUE ME.)	1
			61300-KTC-A20ZG	SET, FRONT COWL (EBONY GRAY ME.)	1
		13	61311-KTC-A20	STAY, COMP. FR. COWL	1
		14	61312-149-300	BOOT, HEADLIGHT BRACKET	2

F-1
LIGHT ASSY. HEAD

**IMAGE
NOT
PRESENT**

Service Item	F.R.T.	BOM Of Group Number: F-1 Model :: SUPER Splendor (May, 2012)			
		Ref No.	Part Number	Description	Req.
*LIGHT ASSY. HEAD	0.1				
*UNIT HEADLIGHT	--	15	61320-KTC-A20	COLLAR, COWL MOUNTING	1
(INC. RELATIVE PART)	--	16	61304-KTC-A20	COLLAR FR. COWL	2
*BLUB, HEADLIGHT	--	17	6410A-AAG-H20	WIND SCREEN S/ASSY.	1
*SOCKET ASSY., HEADLIGHT	0.2	18	64310-198-D20A	PLATE, FRONT NUMBER	1
*STAY, COMP. FR. COWL	--	19	64315-KTC-A20	BRACKET COMP., FR. NO. PLATE	1
*STAY, FRONT WINKER	--	19A	77247-KCC-770	RUBBER, STOPPER	3
*PANEL, INNER	--	20	80101-443-000	RUBBER, RR. FENDER CUSHION	3
*COWL, FRONT	--	21	83402-KTC-A20	PANNEL INNER	1
		22	83601-MN5-000	GROMMET SIDE COVER	1
		23	90101-GJ6-000	BOLT, ADJUST	1
		24	90307-GJ6-000	WASHER, LOCK, 6 MM	1
		25	90311-MT3-000	NUT, CLIP, 6 MM	2
		26	92101-06020-0G	BOLT HEX 6x20	2
		27	93500-05010-1A	SCREW, PAN, 5X10	2
		28	93500-06025-0G	SCREW, PAN, 6x25	3
		28A	93901-04012-00	SCREW, TAPPING SPL., 4 X 12	1
		29	93903-24320	SCREW, TAPPING, 4x12	1
		30	94001-06070-0S	NUT, HEX., 6 MM	3
		30A	94101-04800	WASHER ,PLAIN ,4MM	2
		31	94103-06700	WASHER, PLAIN, 6 MM	3

F-1
LIGHT ASSY. HEAD

**IMAGE
NOT
PRESENT**

Service Item	F.R.T.	BOM Of Group Number: F-1 Model :: SUPER Splendor (May, 2012)			
		Ref No.	Part Number	Description	Req.
*LIGHT ASSY. HEAD	0.1				
*UNIT HEADLIGHT	--	32	94101-05000	WASHER , PLAIN, 5MM	2
(INC. RELATIVE PART)	--	33	95701-06012-07	BOLT, FLANGE, 6X12	2
*BLUB, HEADLIGHT	--	34	96001-06020-07	BOLT, FLANGE, SH. 6X20	2
*SOCKET ASSY., HEADLIGHT	0.2				
*STAY, COMP. FR. COWL	--				
*STAY, FRONT WINKER	--				
*PANEL, INNER	--				
*COWL, FRONT	--				

F-2
SPEEDOMETER/CABLE/KEY SET

**IMAGE
NOT
PRESENT**

Service Item	F.R.T.	BOM Of Group Number: F-2 Model :: SUPER Splendor (May, 2012)			
		Ref No.	Part Number	Description	Req.
*KEY SET	1.1				
*SWITCH ASSY., COMB. & LOCK	0.4	1	34908-KVE-900	BULB, WEDGE BASE T10 (12V - 1.7 W)	5
*METER ASSY., COMP	0.3	2	34909-KVH-900	BLUB WEDGE BASE (12V-3.0W)	2
*SPEEDOMETER COMP	0.5	3	35010-AAG-H20	KEY SET	1
*FUEL METER COMP.,	--	4	35100-AAG-H21	SW ASSY COMB & LOCK	1
*CASE, UPPER ASSY.,	--	5	35106-KTC-900	COVER, COMB. SWITCH	1
*CASE, UNDER ASSY.,	--	6	35121-KWA-930	KEY BLANK NO.1	1
*SOCKET COMP	--	7	35122-KWA-930	KEY BLANK NO.2	1
*CABLE COMP., SPEEDOMETER	--	8	37100-KTC-A21	METER ASSY., COMB	1
*CABLE, INNER	0.1	9	37200-KTC-A21	SPEEDOMETER COMP.	1
		10	37211-KTC-A21	CASE UPPER ASSY.	1
		11	37212-KTC-A21	CASE LOWER ASSY.	1
		12	37215-MB6-830	CLAMP	1
		13	37300-KTC-A21	FUEL METER COMP.	1
		14	37305-KE5-008	SCREW,WASH.,3X22	3
		15	37305-MAW-621	SCREW, WASH SPL., 4X12	2
		16	37312-KTC-901	GROMMET COMB . SW.	1
		17	37312-KTC-900A	GROMMET, TRIP METER	1
		18	37619-KTC-A21	SOCKET COMP.,	1
		19	44830-KWA-910	CABLE, ASSY., SPEEDOMETER	1
		20	44831-KTC-900	CABLE COMP., INNER	1

F-2
SPEEDOMETER/CABLE/KEY SET

**IMAGE
NOT
PRESENT**

Service Item	F.R.T.	BOM Of Group Number: F-2 Model :: SUPER Splendor (May, 2012)			
		Ref No.	Part Number	Description	Req.
*KEY SET	1.1				
*SWITCH ASSY., COMB. & LOCK	0.4	21	80101-443-000	RUBBER, RR. FENDER CUSHION	3
*METER ASSY., COMP	0.3	22	90109-MZ5-008	SCREW, TAPPING, 4 X 14	1
*SPEEDOMETER COMP	0.5	23	91352-GAZ-930	O-RING 8.5X11.5	1
*FUEL METER COMP.,	--	24	93903-22420	SCREW, TAPPING, 3 X 16	4
*CASE, UPPER ASSY.,	--	25	94001-06070-0S	NUT, HEX., 6 MM	3
*CASE, UNDER ASSY.,	--	26	94103-06700	WASHER, PLAIN, 6 MM	3
*SOCKET COMP	--	26A	94111-03800	WASHER, SPRING, 3MM	3
*CABLE COMP., SPEEDOMETER	--	27	96600-08025-00	SOCKET, BOLT, 8 X 25	2
*CABLE, INNER	0.1				

F-3
HANDLE LEVER/SWITCH/CONTROL CABLE

**IMAGE
NOT
PRESENT**

Service Item	F.R.T.	BOM Of Group Number: F-3 Model :: SUPER Splendor (May, 2012)			
		Ref No.	Part Number	Description	Req.
*CABLE COMP., THROTTLE	0.3				
*CABLE COMP., CLUTCH	0.2	1	17910-KTR-A00	CABLE COMP, THROTTLE	1
*SWITCH ASSY., WINKER	0.5	2	22870-KTC-A00	CABLE COMP., CLUTCH	1
*SWITCH ASSY., FR. STOP	--	3	22871-116-670	BOOT, CLUTCH CABLE	1
*CABLE COMP. FR. BRAKE	--	4	32161-404-000	BAND B-1,WIRE	2
*GRIP COMP., 'R' HANDLE	0.6	5	35150-AAG-H20	SW ASSY START	1
*GRIP 'L' HANDLE	0.6	6	35200-KTC-A20	SWITCH ASSY., WINKER	1
*HOUSING UPPER THROTTLE	--	7	35330-413-000	SW. COMP., FR. LEVER	1
*HOUSING UNDER THROTTLE	--	8	35340-KTC-A21	SWITCH ASSY., FR. STOP	1
*BRACKET 'R' HANDLE LEVER	--	9	45450-KTC-900	CABLE COMP., FR. BRAKE	1
*BRACKET 'L' HANDLE LEVER	--	10	53140-KTC-900	GRIP COMP. , 'R ' HANDLE	1
*COVER 'R' HANDLE LEVER	--	11	53166-KTC-900	GRIP 'L' HANDLE	1
*COVER 'L' HANDLE LEVER	--	11A	53168-166-000	HOUSING UPPER, THROTTLE	1
		12	53171-KCC-900	COVER 'R' HANDLE LEVER	1
		13	53172-KTC-920	BRACKET, `L' HANDLE LEVER	1
		14	53173-KTC-920	BRKT., `R' HANDLE LEVER	1
		15	53175-KVH-850	LEVER COMP., 'R' STEERING HANDLE	1
		16	53178-KVH-850	LEVER COMP., 'L' STEERING HANDLE	1
		17	53179-KTC-900	COVER 'L' HANDLE LEVER	1
		18	88110-AAG-H01ZD	MIRROR ASSY R BACK(FORCE SILVER ME., NH-411M)	1
			88110-AAG-H01ZF	MIRROR ASSY R BACK(VIBRANT BLUE ME., B-374M)	1

F-3
HANDLE LEVER/SWITCH/CONTROL CABLE

**IMAGE
NOT
PRESENT**

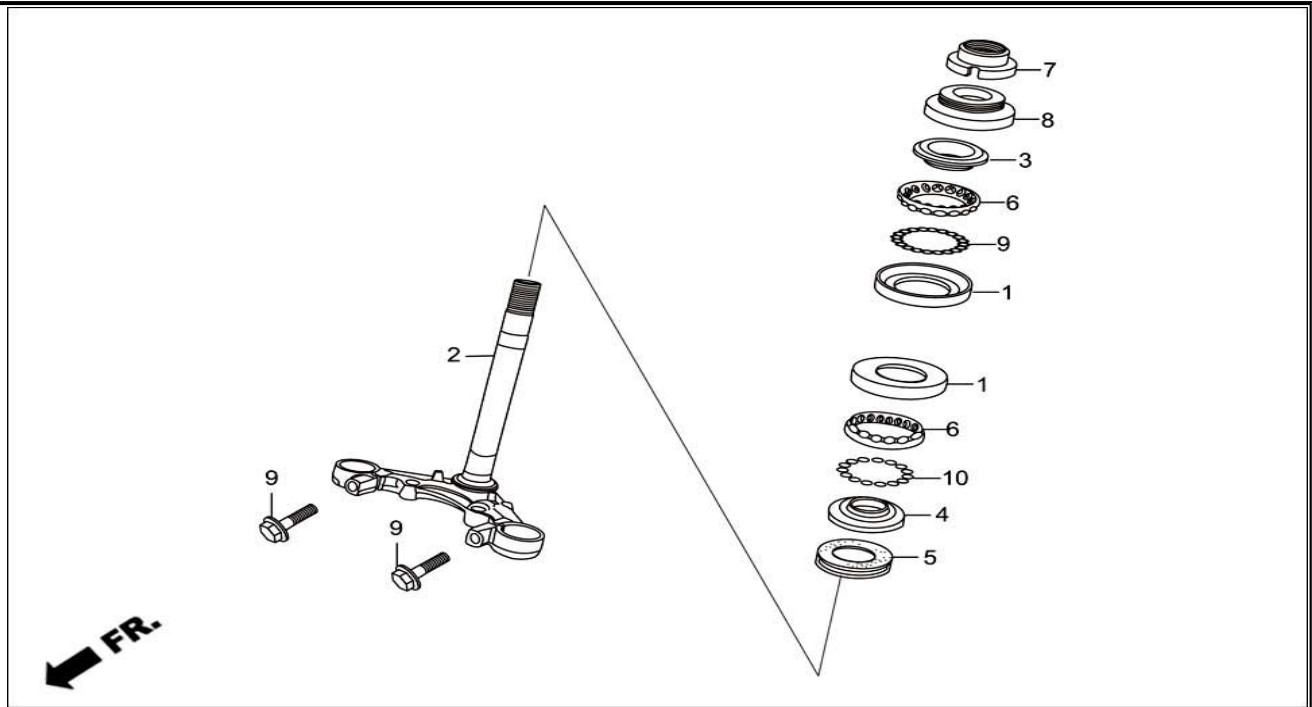
Service Item	F.R.T.	BOM Of Group Number: F-3 Model :: SUPER Splendor (May, 2012)			
		Ref No.	Part Number	Description	Req.
*CABLE COMP., THROTTLE	0.3		88110-AAG-H01ZG	MIRROR ASSY R BACK(EBONY GRAY ME., NH-A63M)	1
*CABLE COMP., CLUTCH	0.2		88110-AAN-H01ZA	MIRROR ASSY R BACK(BLACK, NH-1)	1
*SWITCH ASSY., WINKER	0.5		88110-AAN-H01ZD	MIRROR ASSY R BACK(CANDY BLAZING RED, R-195C)	1
*SWITCH ASSY., FR. STOP	--				
*CABLE COMP. FR. BRAKE	--	19	88120-AAG-H01ZD	MIRROR ASSY L BACK(FORCE SILVER ME., NH-411M)	1
*GRIP COMP., 'R' HANDLE	0.6		88120-AAG-H01ZF	MIRROR ASSY L BACK(VIBRANT BLUE ME., B-374M)	1
*GRIP 'L' HANDLE	0.6		88120-AAG-H01ZG	MIRROR ASSY L BACK(EBONY GRAY ME., NH-A63M)	1
*HOUSING UPPER THROTTLE	--		88120-AAN-H01ZA	MIRROR ASSY L BACK(BLACK, NH-1)	1
*HOUSING UNDER THROTTLE	--		88120-AAN-H01ZD	MIRROR ASSY L BACK(CANDY BLAZING RED, R-195C)	1
*BRACKET 'R' HANDLE LEVER	--	20	88114-198-D10	CAP, LOCK NUT	2
*BRACKET 'L' HANDLE LEVER	--	21	88115-KTR-900	BOOT, MIRROR UPPER	2
*COVER 'R' HANDLE LEVER	--	22	90003-KCC-840	BOLT, ADPT.10MM	2
*COVER 'L' HANDLE LEVER	--	23	90114-310-000	BOLT, HANDLE LEVER PIVOT	2
		24	90201-MW3-620	NUT, HEX., 10MM	2
		25	93500-05020-0G	SCREW, PAN, 5 X 20	2
		26	93500-05022-1G	SCREW, PAN, 5 X 22	2
		26A	94002-08000-0S	NUT HEX.8 MM	1
		27	94050-06000	NUT, FLANGE, 6 MM	1
		28	96001-06025-07	BOLT, FLANGE, SH. 6 X 25	1

F-4
HANDLE PIPE/TOP BRIDGE

**IMAGE
NOT
PRESENT**

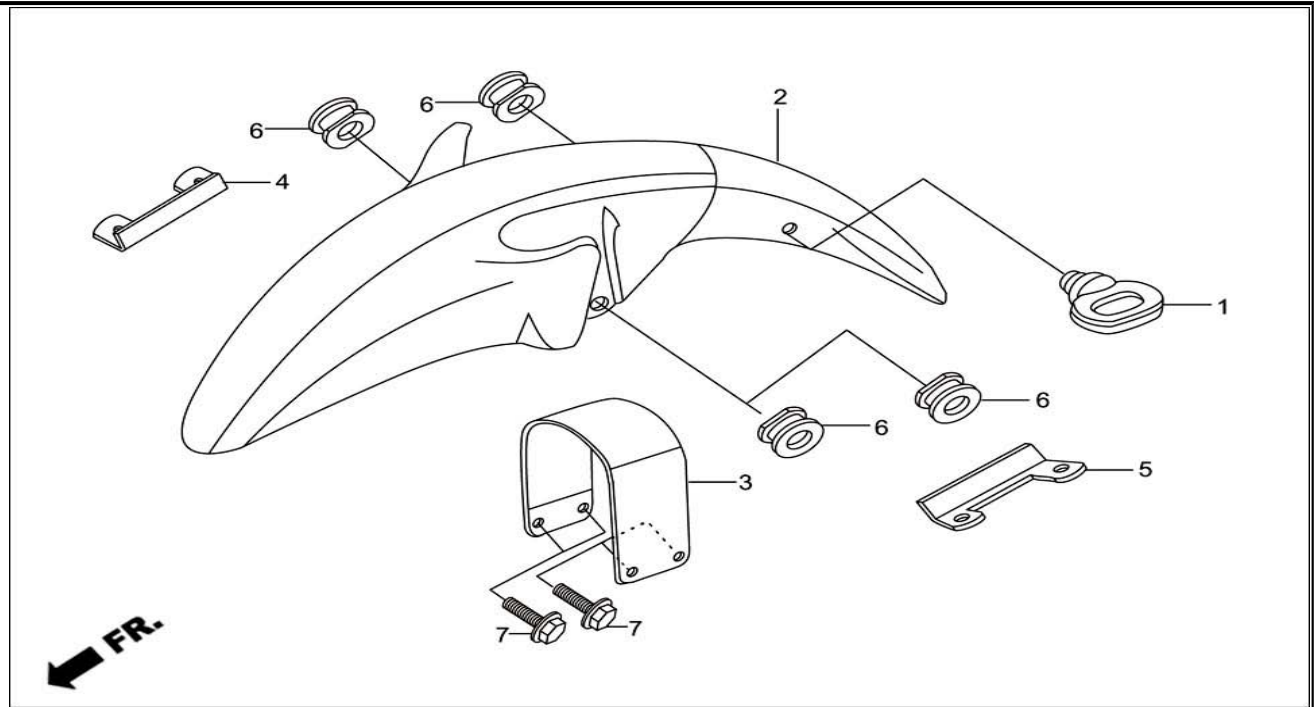
Service Item	F.R.T.	BOM Of Group Number: F-4 Model :: SUPER Splendor (May, 2012)			
		Ref No.	Part Number	Description	Req.
PIPE, STEERING HANDLE	0.5	1	53100-KTC-900	PIPE, STEERING HANDLE	1
BRIDGE COMP., FORK TOP	--	1A	53131-KTR-A00	HOLDER, HANDLE UP	1
HOLDER, HANDLE PIPE UNDER (ADD 0.1 FOR EACH)	0.2	2	53132-124-000	HOLDER, HANDLE PIPE UNDER	2
	--	3	53133-198-900	RUBBER, HANDLE CUSHION UPPER	2
		4	53134-028-000	RUBBER, HANDLE CUSHION UNDER	2
		5	53135-198-900	WASHER, HANDLE CUSHION	2
		6	53136-198-900	PLATE, HANDLE CUSHION	2
		7	53230-KTR-940	BRIDGE COMP., FORK TOP	1
		7A	90102-KVN-900	BOLT, SP. FLANGE SOCKET 6 X 22	4
		8	90117-065-000	BOLT,HEX., 6X28	4
		9	90304-KTE-911	NUT FLG.PT 10MM	2
			90304-KST-942	NUT FLG.PT 10MM	2
		10	90304-KSP-900	NUT, STEERING STEM	1
		10A	90304-GA6-000	NYLOCK, NUT, 10MM	2
		11	90503-KTR-900	WASHER, STEERING STEM	1
		11A	91455-MG8-000	CAP, SOC BOLT 6 MM	4
		12	94101-06000	WASHER, PLAIN, 6 MM	4
		13	95014-21101	HOLDER A1, HANDLE PIPE UPPER	2

F-5
STEERING STEM



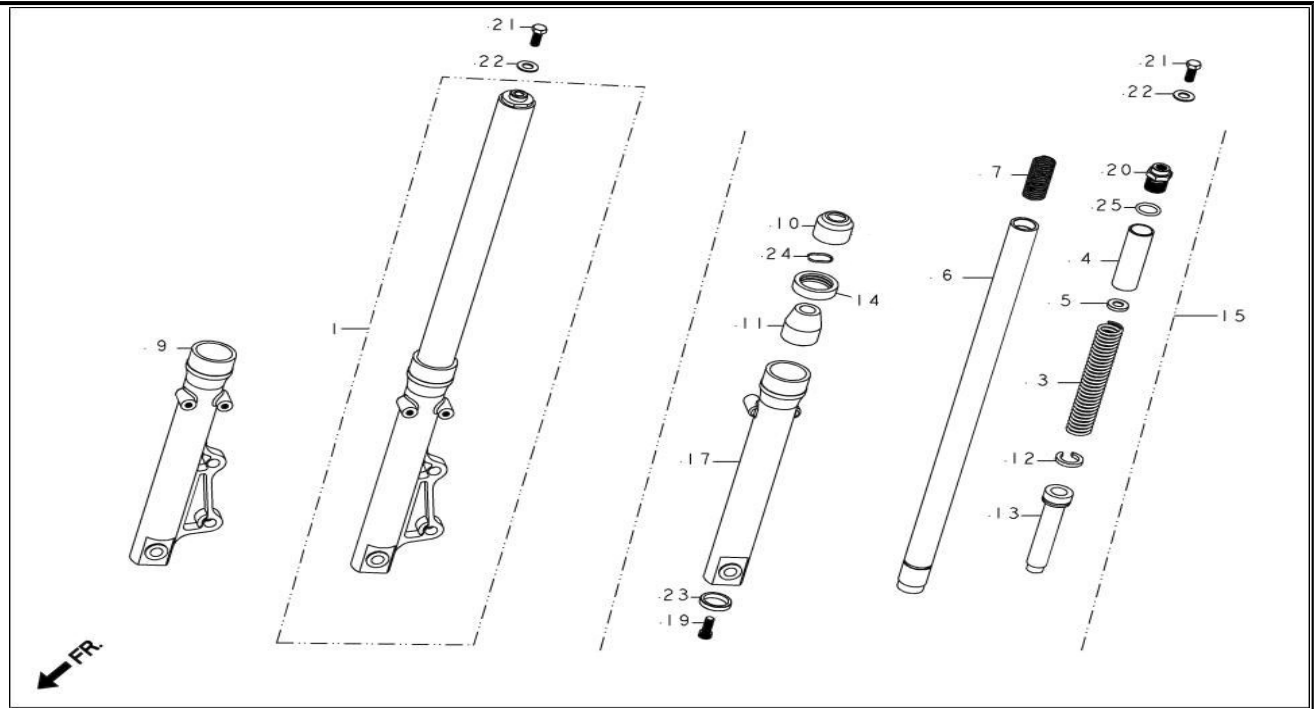
Service Item	F.R.T.	BOM Of Group Number: F-5 Model :: SUPER Splendor (May, 2012)			
		Ref No.	Part Number	Description	Req.
*RACE, STEERING BALL (ONE OR ALL)	0.8 --	1	50301-KTR-900	RACE, STEERING BALL	2
*STEM COMP., STEERING	0.9	2	53200-KTC-A20	STEM, COMP., STEERING	1
*RACE, STEERING TOP CONE	0.5	3	53211-268-010	RACE, STEERING TOP CONE	1
*THREAD, STEERING HEAD TOP	--	4	53212-200-000	RACE, STEERING BOTTOM CONE	1
		5	53214-200-000	DUST SEAL, STEERING HEAD	1
		6	53215-KTR-900	BALL, ASSY. STEERING	2
		7	53221-KTR-900	THREAD, STEERING HEAD TOP	1
		8	53222-KTR-900	MUD GUARD, STEERING HEAD TOP	1
		9	95701-08040-00	BOLT, FLANGE, 8 X 40	2
		10	96211-08000	BALL STEEL 8 MM	16

F-6
FRONT FENDER



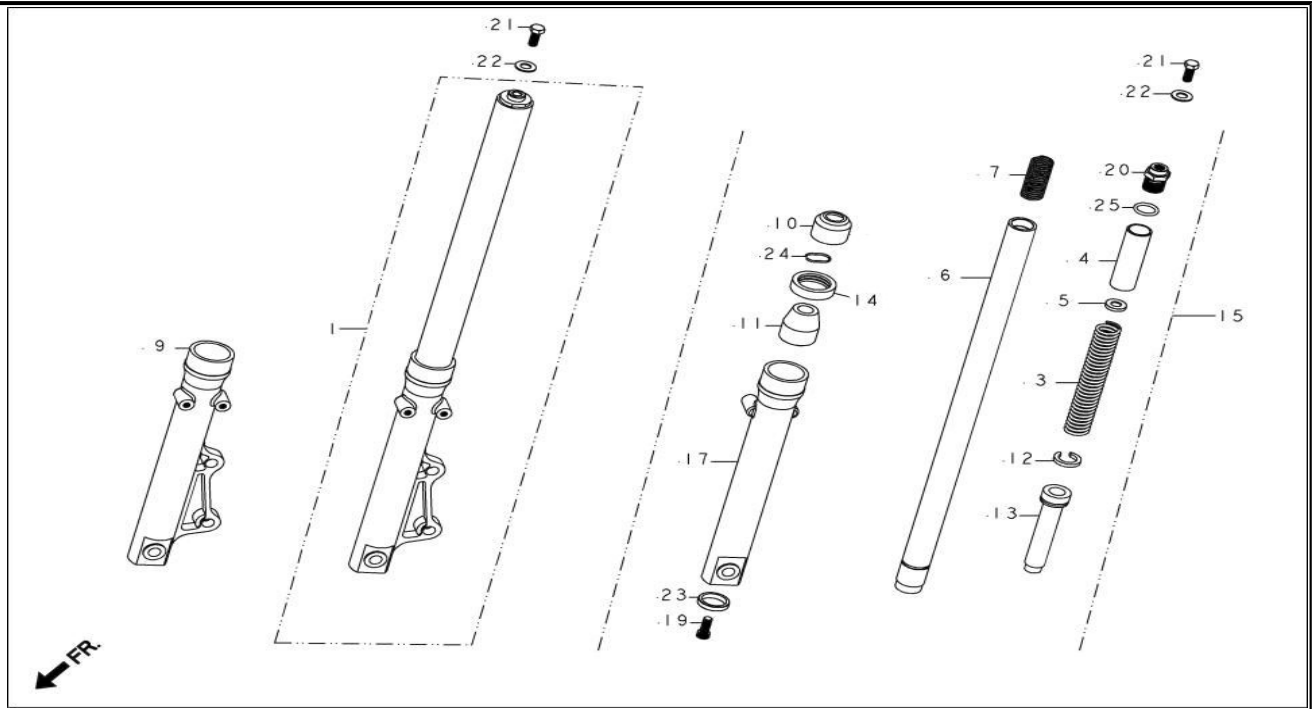
Service Item	F.R.T.	BOM Of Group Number: F-6 Model :: SUPER Splendor (May, 2012)			
*FENDER, FRONT	0.3	Ref No.	Part Number	Description	Req.
		1	45451-KCC-900	GUIDE, FR. FENDER CABLE	1
		2	61100-KTC-A20ZA	FENDER FR (BLACK)	1
			61100-KTC-A20ZD	FENDER FR (FORCE SILVER ME.)	1
			61100-KTC-A20ZE	FENDER FR (CANDY BLAZING RED)	1
			61100-KTC-A20ZF	FENDER FR (VIBRANT BLUE ME.)	1
			61100-KTC-A20ZG	FENDER FR (EBONY GRAY ME.)	1
		3	61102-KTC-900	STAY, FRONT FENDER	1
		4	61103-KTR-940	BRKT. FR. FENDER R	1
		5	61104-KTR-940	BRKT. FR. FENDER L	1
		6	61105-KTC-900	RUBBER, FRONT FENDER MOUNTING	4
		7	95701-06020-00	BOLT, FLANGE, 6X20	4

F-7
FRONT FORK



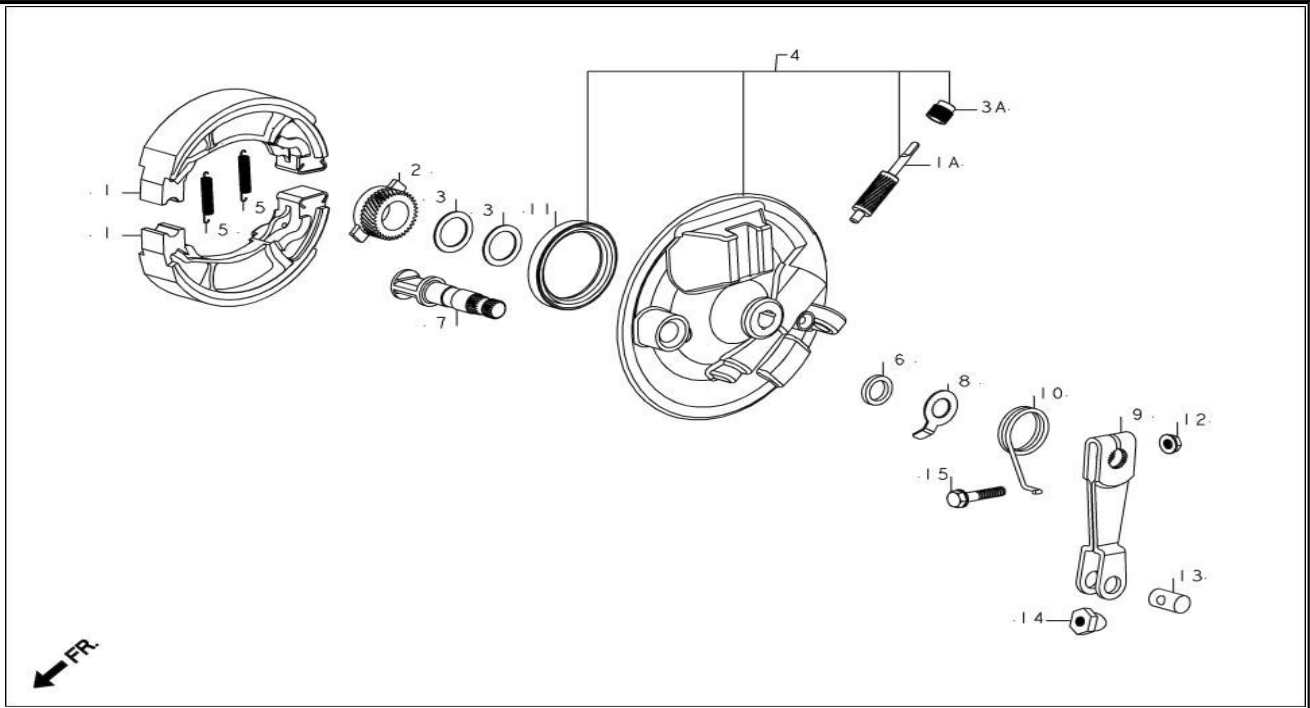
Service Item	F.R.T.	BOM Of Group Number: F-7 Model :: SUPER Splendor (May, 2012)			
		Ref No.	Part Number	Description	Req.
FORK ASSY., R/L FR	0.5	1	51400-KWA-941	FORK ASSY., 'R' FRONT	1
(ADD 0.2 FOR EACH)	--				
SPRING, FR. CUSHION	0.6	3	51401-KST-941	SPRING, FR. CUSHION	2
(ADD 0.2 FOR EACH)	--				
PIPE COMP., FR. FORK	0.8	5	51403-447-730	JOINT, SPRING	2
(ADD 0.5 FOR EACH)	--				
PIPE COMP., FR. FORK	0.8	6	51410-KWA-941	PIPE COMP. FR. FORK	2
(ADD 0.5 FOR EACH)	--				
CASE R/L FR. BOTTOM	0.9	7	51412-KAG-900	SPRING, REBOUND	2
(ADD 0.5 FOR EACH)	--	7A	51412-KWA-941	RING BACKUP	1
		9	51420-KWA-941	CASE COMP. R, FRONT BOTTOM	1
		10	51425-KST-901	SEAL, DUST	2
		11	51432-KST-901	PIECE, OIL LOCK	2
		12	51437-KVN-901	RING, PISTON	2
		13	51440-KTR-901	PIPE, SEAT	2
		14	91255-KWA-941	SEAL OIL 30×42×11	2
		15	51500-KWA-941	FORK ASSY., 'L' FRONT	1
		17	51520-KWA-941	CASE COMP. L, FRONT BOTTOM	1
		19	90116-KAG-900	BOLT, SOCKET, 8 MM	2
		20	90123-KST-941	BOLT, `A' FR. FORK	2
		21	90123-KRM-860	BOLT, FR. FORK	2
		22	90521-292-000	WASHER, PLAIN, 10.3 MM	2
		23	90544-439-930	WASHER, SPECIAL, 8 MM	2

F-7
FRONT FORK



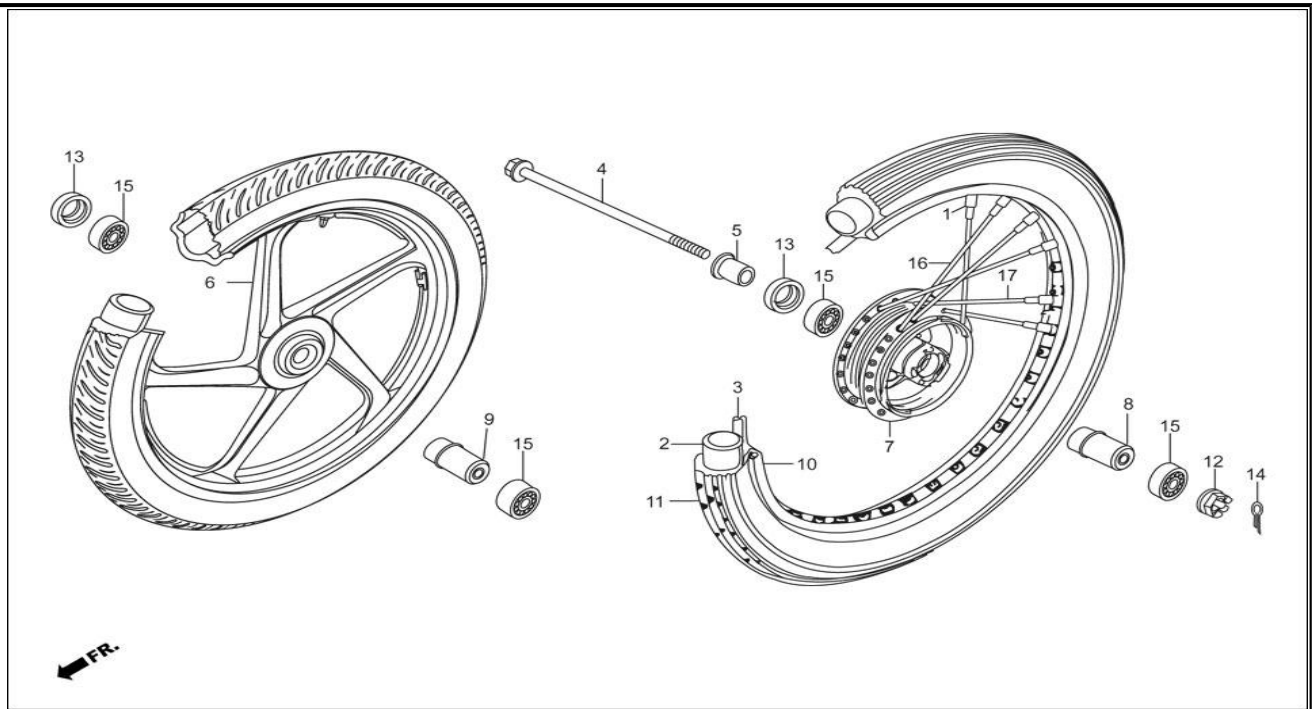
Service Item	F.R.T.	BOM Of Group Number: F-7 Model :: SUPER Splendor (May, 2012)			
		Ref No.	Part Number	Description	Req.
FORK ASSY., R/L FR	0.5				
(ADD 0.2 FOR EACH)	--	24	90601-GF5-730	RING, OIL SEAL STOPPER	2
SPRING, FR. CUSHION	0.6	25	91356-KAG-900	O - RING	2
(ADD 0.2 FOR EACH)	--				
PIPE COMP., FR. FORK	0.8				
(ADD 0.5 FOR EACH)	--				
CASE R/L FR. BOTTOM	0.9				
(ADD 0.5 FOR EACH)	--				

F-8
FR. BRAKE PANEL



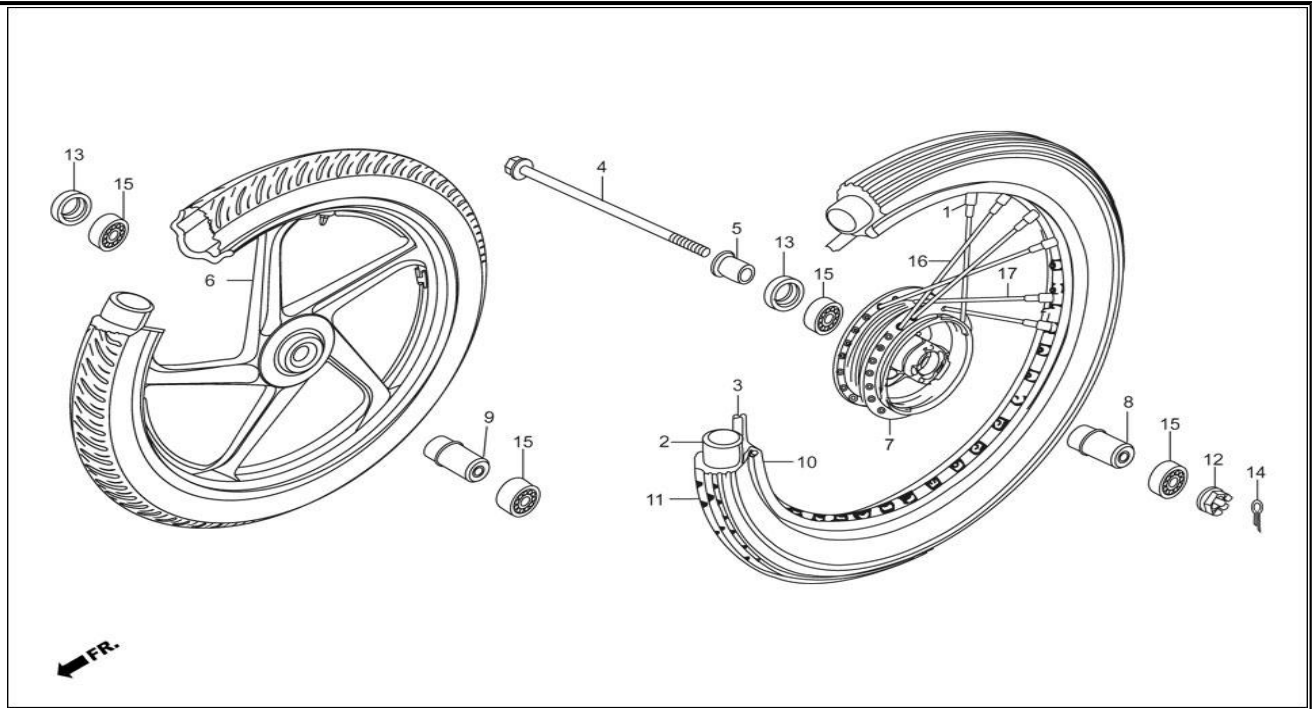
Service Item	F.R.T.	BOM Of Group Number: F-8 Model :: SUPER Splendor (May, 2012)			
		Ref No.	Part Number	Description	Req.
GEAR, SPEEDOMETER	0.3	1	43125-KTN-701	SHOE COMP., BRAKE	2
PINION, SPEEDOMETER	0.6	1	43125-KRP-981	SHOE COMP., BRAKE	2
PANEL SUB COMP., FR. BRAKE	0.4	1A	44805-KTC-900	PINION, SPEEDOMETER	1
(INC. RELATIVE PART)	--	2	44806-KST-900	GEAR, SPEEDOMETER	1
SHOE COMP., BRAKE	--	3	44809-170-000	WASHER, SPEEDOMETER GEAR	2
(ONE OR ALL)	--	3A	44810-KTC-900	BUSH, PINION	1
ARM. FR. BRAKE	0.1	4	45010-KTC-900	PANEL SUB COMP., FR. BRK .	1
(INC. RELATIVE PART)	--	4A	45010-KTR-700	PANEL SUB. COMP., FR. BRAKE (MGM)	1
		5	45133-KCC-900	SPRING, FR. BRAKE SHOE	2
		6	45134-250-000	DUST SEAL, BRAKE CAM	1
		7	45141-KTC-900	CAM FR. BRAKE	1
		8	45145-096-650	INDICATOR, FR. BRAKE	1
		9	45410-KCC-900	ARM, FR. BRAKE	1
		10	45435-GB2-720	SPRING, BRAKE ARM RETURN	1
		11	91251-GK4-000	OIL SEAL, 47X60X7	1
		12	94050-06000	NUT, FLANGE, 6 MM	1
		13	95015-32001	JOINT 'B' BRAKE ARM	1
		14	95015-42000	NUT `B' BRAKE ROD ADJUSTING	1
		15	95701-06032-00	BOLT, FLANGE, 6 X 32	1

F-9-CAST
FRONT WHEEL (DRUM)



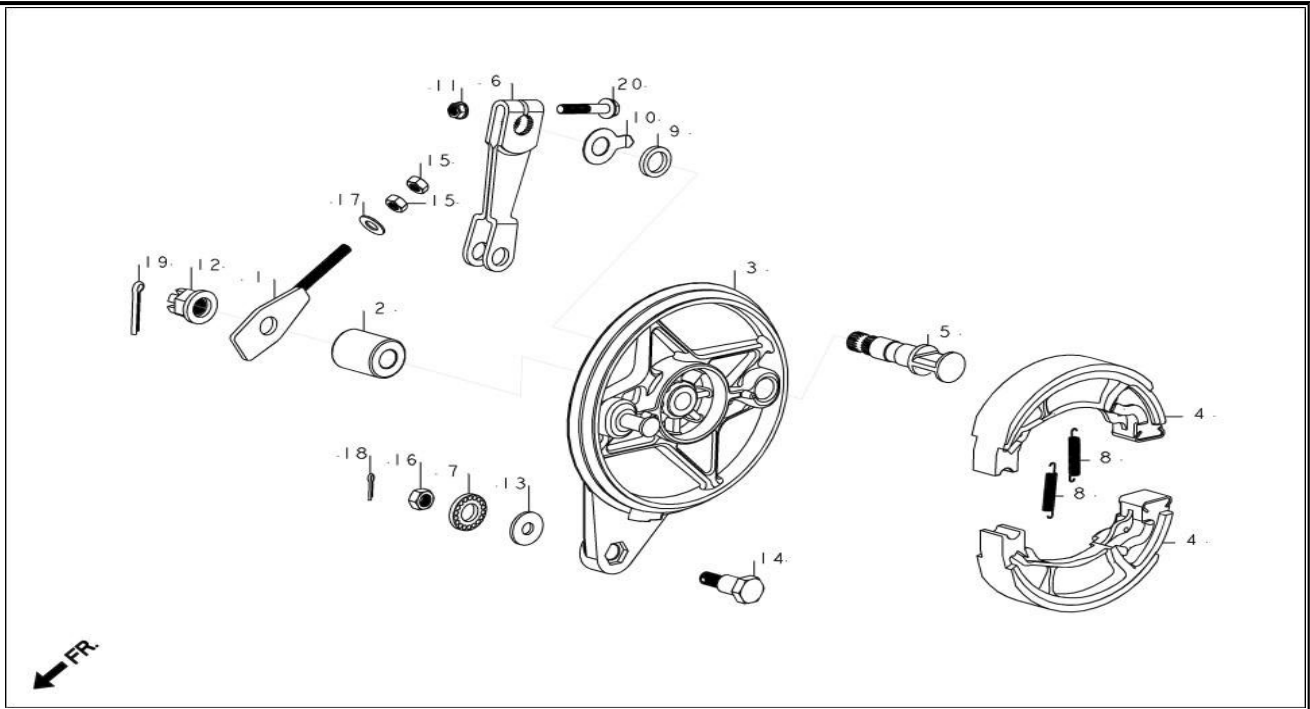
Service Item	F.R.T.	BOM Of Group Number: F-9-CAST Model :: SUPER Splendor (May, 2012)			
		Ref No.	Part Number	Description	Req.
*TUBE, TYRE	0.9	2	42712-KCS-920	TUBE, TYRE (2.75 X 18)	1
*TYRE, FR.	--				
*AXLE, FR. WHEEL	0.2	4	44301-KTR-700	AXLE, FR. WHEEL	1
*HUB, FR. WHEEL.	2.5	5	44311-KRC-900	COLLAR, FR. WHEEL SIDE	1
*COLLAR, FR. AXLE DISTANCE.	0.4	6	44601-KTR-702Z	WHEEL COMP. FRONT (CSM)	1
*BEARING RADIAL BALL, 6301U	--	9	44620-400-000	COLLAR, FRONT DISTANCE	1
(ADD 0.1 FOR EACH)	--	11	44711-KFN-850	TYRE, FRONT	1
*RIM, FR. WHEEL.	2.2	12	90306-KST-942	NUT, CASTLE, 12 MM	1
*OIL SEAL, 21 X 37 X 7	0.3	12A	90306-KTE-911	NUT, CASTLE, 12 MM	1
		13	91251-KPH-901	OIL SEAL, 21 X 37 X 7	1
		14	94201-30250	PIN, SPLIT, 3.0 X 25	1
		15	96140-63010-10	BEARING, RADIAL BALL, 6301U	2

F-9-SPOKE
FRONT WHEEL (DRUM)



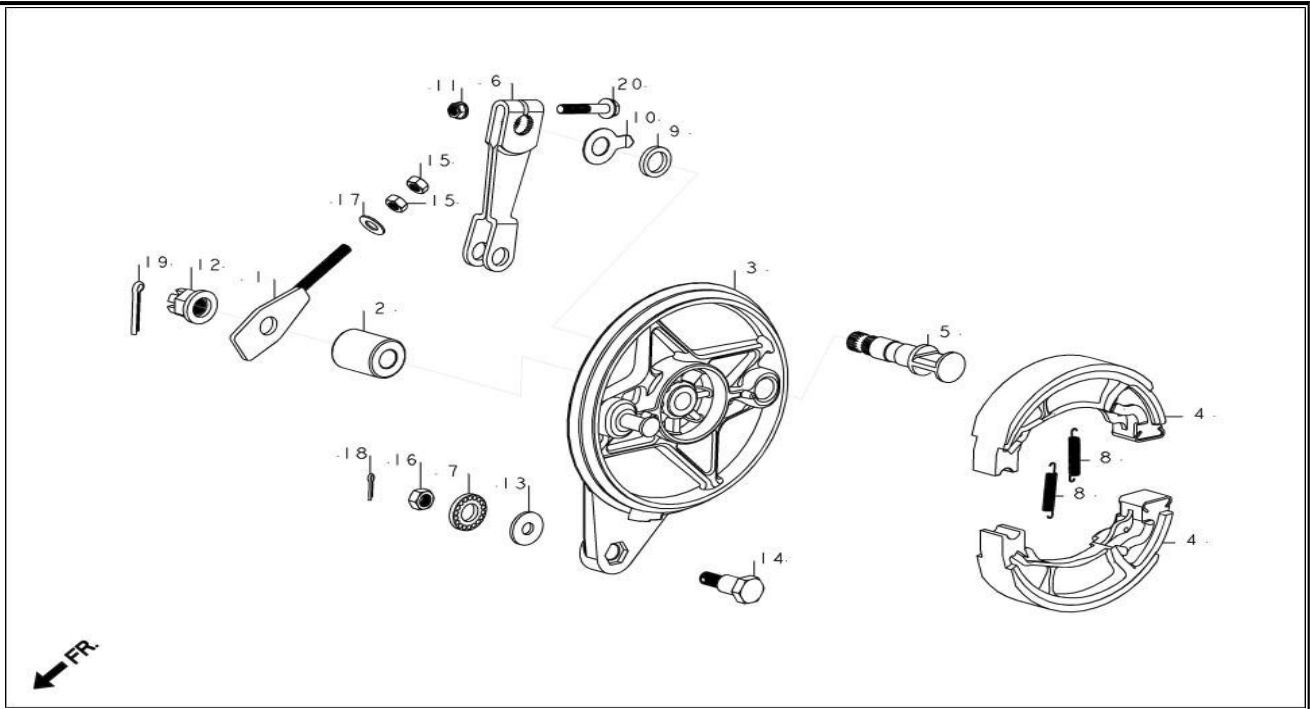
Service Item	F.R.T.	BOM Of Group Number: F-9-SPOKE Model :: SUPER Splendor (May, 2012)			
		Ref No.	Part Number	Description	Req.
*TUBE, TYRE	0.9	1	42603-198-900	NIPPLE, SPOKE-9	36
*TYRE, FR.	--	2	42712-KCS-920	TUBE, TYRE (2.75 X 18)	1
*AXLE, FR. WHEEL	0.2	3	42713-KFN-850	FLAP, TYRE (1.40 X 7)	1
*HUB, FR. WHEEL.	2.5	4	44301-KTR-700	AXLE, FR. WHEEL	1
*COLLAR, FR. AXLE DISTANCE.	0.4	5	44311-KRC-900	COLLAR, FR. WHEEL SIDE	1
*BEARING RADIAL BALL, 6301U	--	7	44601-KTR-940Z	HUB COMP., FR. WHEEL (CSM)	1
(ADD 0.1 FOR EACH)	--	8	44620-198-900	COLLAR, FR. AXLE DISTANCE	1
*RIM, FR. WHEEL.	2.2	10	44701-KCC-900	RIM,FR. WHEEL (1.60 X 18)	1
*OIL SEAL, 21 X 37 X 7	0.3	11	44711-KFN-850	TYRE, FRONT	1
		12	90306-KST-942	NUT, CASTLE, 12 MM	1
		12A	90306-KTE-911	NUT, CASTLE, 12 MM	1
		13	91251-KPH-901	OIL SEAL, 21 X 37 X 7	1
		14	94201-30250	PIN, SPLIT, 3.0 X 25	1
		15	96140-63010-10	BEARING, RADIAL BALL, 6301U	2
		16	97252-51162-10	SPOKE,A 9 X161	18
		17	97603-51162-10	SPOKE, A 9 X 161	18

F-10
REAR BRAKE PANEL



Service Item	F.R.T.	BOM Of Group Number: F-10 Model :: SUPER Splendor (May, 2012)			
		Ref No.	Part Number	Description	Req.
PANEL COMP., RR. BRAKE	0.5	1	40543-KTR-900	ADJUSTER COMP., L CHAIN	1
SHOE COMP., BRAKE	0.4	2	42313-198-900	COLLAR, RR. BRAKE PANEL SIDE	1
(ONE OR ALL)	--				
ARM, RR. BRAKE	1.1	3	43100-KTC-900	PANEL COMP., RR. BRAKE	1
(INC. RELATIVE PART)	--	3A	43100-KTR-700	PANEL COMP., RR. BRAKE	1
		4	43125-KRP-981	SHOE COMP., BRAKE	2
		4	43125-KTN-701	SHOE COMP., BRAKE	2
		5	43141-KTC-900	CAM, REAR BRAKE	1
		6	43410-KCT-690	ARM, REAR BRAKE	1
		7	43434-286-000	RUBBER, STOPPER ARM CUSHION	1
		8	45133-KCC-900	SPRING, FR. BRAKE SHOE	2
		9	45134-250-000	DUST SEAL, BRAKE CAM	1
		10	45145-KFM-900	INDICATOR, FR. BRK	1
		11	90301-473-000	NUT, 'U' 6MM	1
		12	90305-169-000	NUT, AXLE, 12 MM	1
		13	90505-425-000	WASHER, 8 MM	1
		14	92811-10000	BOLT `A' BRAKE STOPPER	1
		15	94001-06000-0S	NUT, HEX., 6 MM	2
		16	94001-08000-0S	NUT, HEX., 8 MM	1
		17	94101-06000	WASHER, PLAIN, 6 MM	1
		18	94201-20150	PIN, SPLIT, 2.0 X 15	1

F-10
REAR BRAKE PANEL

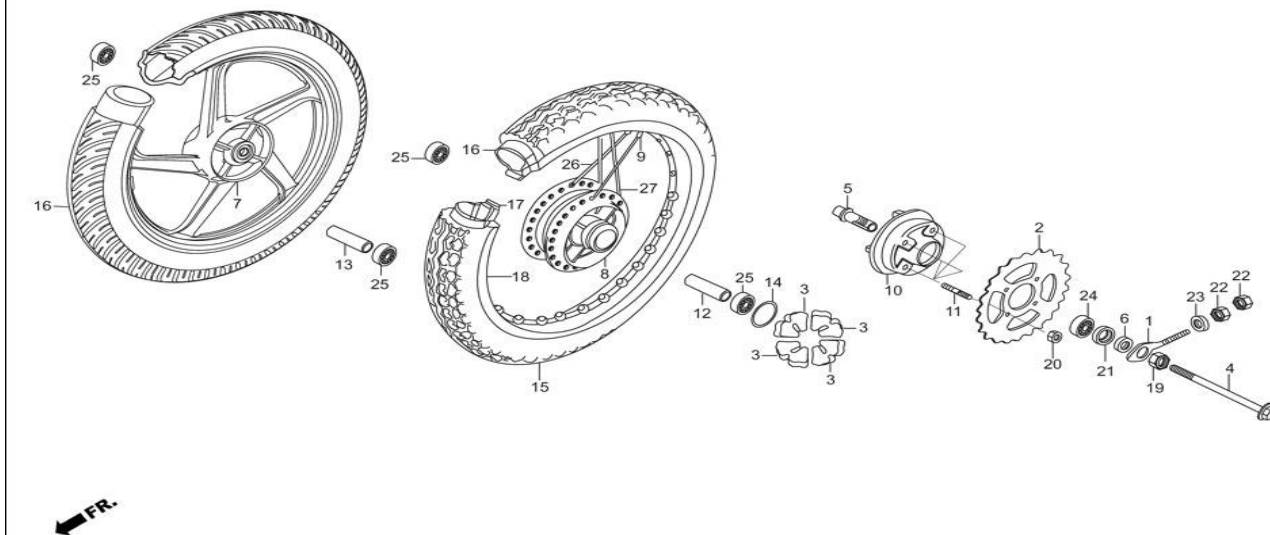


Service Item	F.R.T.
PANEL COMP., RR. BRAKE	0.5
SHOE COMP., BRAKE	0.4
(ONE OR ALL)	--
ARM, RR. BRAKE	1.1
(INC. RELATIVE PART)	--

BOM Of Group Number: F-10 Model :: SUPER Splendor (May, 2012)

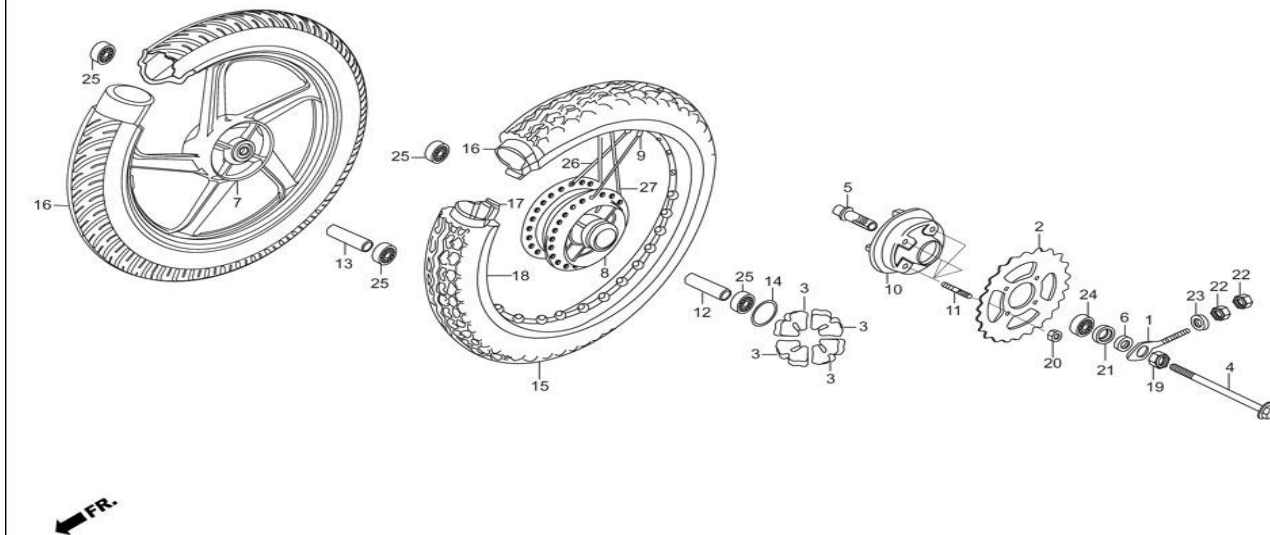
Ref No.	Part Number	Description	Req.
19	94201-30250	PIN, SPLIT, 3.0 X 25	1
20	95701-06035-00	BOLT, FLANGE, 6X35	1

F-11-CAST REAR WHEEL



Service Item	F.R.T.	BOM Of Group Number: F-11-CAST Model :: SUPER Splendor (May, 2012)			
		Ref No.	Part Number	Description	Req.
*AXLE, REAR WHEEL.	0.2	1	40544-GBG-850	ADJUSTER, LEFT CHAIN	1
* SPROCKET FINAL DRIVEN (42T)	0.7	2	41201-KTC-900	SPROCKET, FINAL DRIVEN (42T)	1
*DAMPER, RR. WHEEL (ONE OR ALL)	0.4 --	3	41241-KTC-900	DAMPER, REAR WHEEL	4
*COLLAR, RR. AXLE DISTANCE	--	4	42301-KTR-700	AXLE, REAR WHEEL	1
*BEARING, RADIAL BALL, 6301U (ADD 0.1 FOR EACH)	--	5	42303-KTR-900	SLEEVE, REAR WHEEL	1
*SLEEVE, RR. WHEEL.	0.5	6	42304-KTC-900	COLLAR, RR.AXLE SLEEVE	1
*HUB, RR. WHEEL	2.5	7	42601-KTR-702Z	WHEEL COMP., REAR (CSM)	1
*FLANGE, FINAL DRIVEN	0.8	7A	42601-KTR-700	WHEEL REAR	1
*TYRE, RR.	0.9	10	42611-KTC-900	FLANGE, FINAL DRIVEN	1
*RIM, WHEEL (1.60 X 18)	2.3	11	42615-198-900	BOLT, STUD., 8 X 42	4
*BEARING, RADIAL BALL, 6203	0.6	12	42620-KTR-700	COLLAR, REAR AXLE DISTANCE	1
		14	42653-001-000	O-RING 40.5 X 3	1
		15	42711-KTC-901	TYRE, RR. (2.75-18-48P)	1
		16	42712-KCS-920	TUBE, TYRE (2.75 X 18)	1
		16A	42712-KFN-850	TUBE, TYRE	1
		19	90307-001-000	NUT ,RR. AXLE SLEEVE	1
		20	90309-357-000	NUT, HEX .,8MM	4
		21	90753-029-000	OIL SEAL, 27 X 40 X 6	1
		21A	91304-704-000	O-RING 42 MM	1
		22	94001-06000-0S	NUT, HEX., 6 MM	2

F-11-CAST REAR WHEEL

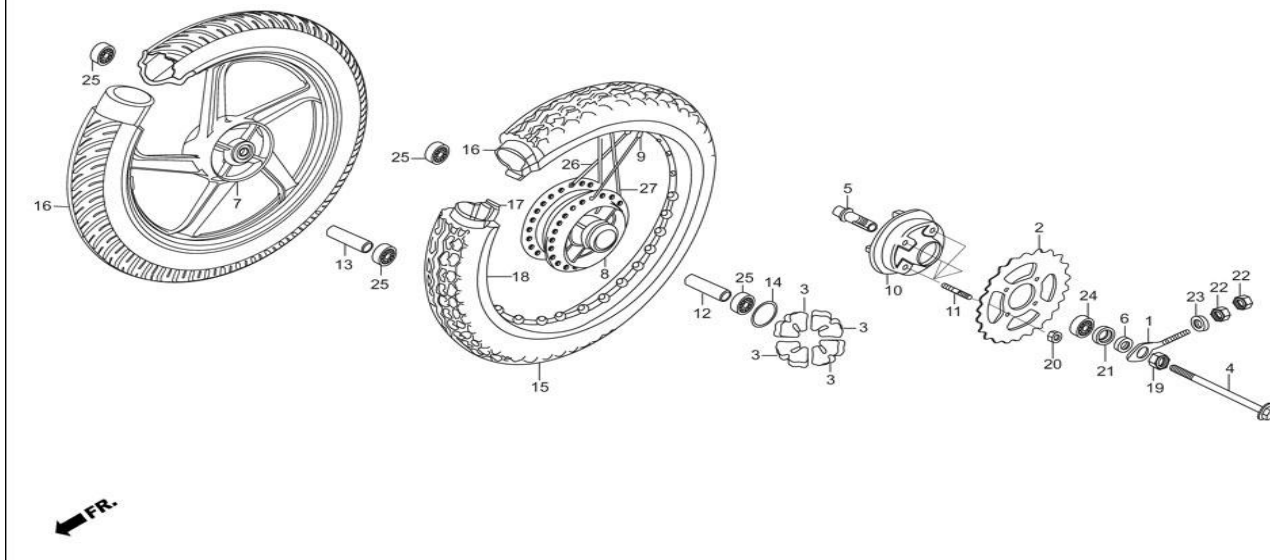


Service Item	F.R.T.
*AXLE, REAR WHEEL.	0.2
* SPROCKET FINAL DRIVEN (42T)	0.7
*DAMPER, RR. WHEEL (ONE OR ALL)	--
*COLLAR, RR. AXLE DISTANCE	--
*BEARING, RADIAL BALL, 6301U (ADD 0.1 FOR EACH)	--
*SLEEVE, RR. WHEEL.	0.5
*HUB, RR. WHEEL	2.5
*FLANGE, FINAL DRIVEN	0.8
*TYRE, RR.	0.9
*RIM, WHEEL (1.60 X 18)	2.3
*BEARING, RADIAL BALL, 6203	0.6

BOM Of Group Number: F-11-CAST Model :: SUPER Splendor (May, 2012)

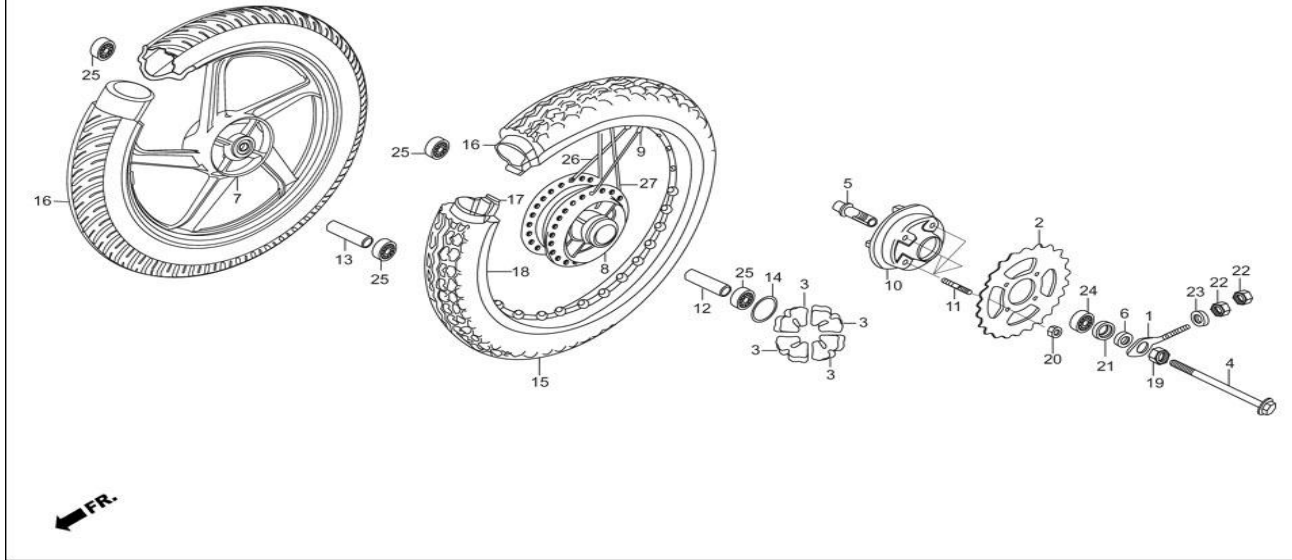
Ref No.	Part Number	Description	Req.
23	94101-06000	WASHER, PLAIN, 6 MM	1
24	96140-63010-10	BEARING, RADIAL BALL, 6301U	2
25	96150-62030-10	BEARING, BALL RADIAL, 6203 (UU)	1

F-11-SPOKE REAR WHEEL



Service Item	F.R.T.	BOM Of Group Number: F-11-SPOKE Model :: SUPER Splendor (May, 2012)			
		Ref No.	Part Number	Description	Req.
*AXLE, REAR WHEEL.	0.2	1	40544-GBG-850	ADJUSTER, LEFT CHAIN	1
* SPROCKET FINAL DRIVEN (42T)	0.7	2	41201-KTC-900	SPROCKET, FINAL DRIVEN (42T)	1
*DAMPER, RR. WHEEL (ONE OR ALL)	0.4 --	3	41241-KTC-900	DAMPER, REAR WHEEL	4
*COLLAR, RR. AXLE DISTANCE	--	4	42301-KTR-700	AXLE, REAR WHEEL	1
*BEARING, RADIAL BALL, 6301U (ADD 0.1 FOR EACH)	--	5	42303-KTR-900	SLEEVE, REAR WHEEL	1
*SLEEVE, RR. WHEEL.	0.5	6	42304-KTC-900	COLLAR, RR.AXLE SLEEVE	1
*HUB, RR. WHEEL	2.5	8	42601-KTR-940Z	HUB, RR. WHEEL (ISM)	1
*FLANGE, FINAL DRIVEN	0.8	8A	42601-KTR-700	WHEEL REAR	1
*TYRE, RR.	0.9	9	42603-198-900	NIPPLE, SPOKE-9	36
*RIM, WHEEL (1.60 X 18)	2.3	10	42611-KTC-900	FLANGE, FINAL DRIVEN	1
*BEARING, RADIAL BALL, 6203	0.6	11	42615-198-900	BOLT, STUD., 8 X 42	4
		13	42620-KTR-940	COLLAR, REAR AXLE DISTANCE	1
		14	42653-001-000	O-RING 40.5 X 3	1
		15	42711-KTC-901	TYRE, RR. (2.75-18-48P)	1
		16	42712-KCS-920	TUBE, TYRE (2.75 X 18)	1
		16A	42712-KFN-850	TUBE, TYRE	1
		17	42713-KFN-850	FLAP, TYRE (1.40 X 18)	1
		18	44701-KCC-900	RIM,FR. WHEEL (1.60 X 18)	1
		19	90307-001-000	NUT ,RR. AXLE SLEEVE	1
		20	90309-357-000	NUT, HEX .,8MM	4

F-11-SPOKE REAR WHEEL



Service Item	F.R.T.	BOM Of Group Number: F-11-SPOKE Model :: SUPER Splendor (May, 2012)			
		Ref No.	Part Number	Description	Req.
*AXLE, REAR WHEEL.	0.2				
* SPROCKET FINAL DRIVEN (42T)	0.7	21	90753-029-000	OIL SEAL, 27 X 40 X 6	1
*DAMPER, RR. WHEEL (ONE OR ALL)	0.4 --	21A	91304-704-000	O-RING 42 MM	1
*COLLAR, RR. AXLE DISTANCE	--	22	94001-06000-0S	NUT, HEX., 6 MM	2
*BEARING, RADIAL BALL, 6301U (ADD 0.1 FOR EACH)	--	23	94101-06000	WASHER, PLAIN, 6 MM	1
*SLEEVE, RR. WHEEL.	0.5	24	96140-63010-10	BEARING, RADIAL BALL, 6301U	2
*HUB, RR. WHEEL	2.5	25	96150-62030-10	BEARING, BALL RADIAL, 6203 (UU)	1
*FLANGE, FINAL DRIVEN	0.8	26	97252-51162-10	SPOKE,A 9 X161	18
*TYRE, RR.	0.9	27	97687-51161-10	SPOKE A9 X 161.5	18
*RIM, WHEEL (1.60 X 18)	2.3				
*BEARING, RADIAL BALL, 6203	0.6				

F-12
SEAT ASSY./RR COWL/REAR GRIP

**IMAGE
NOT
PRESENT**

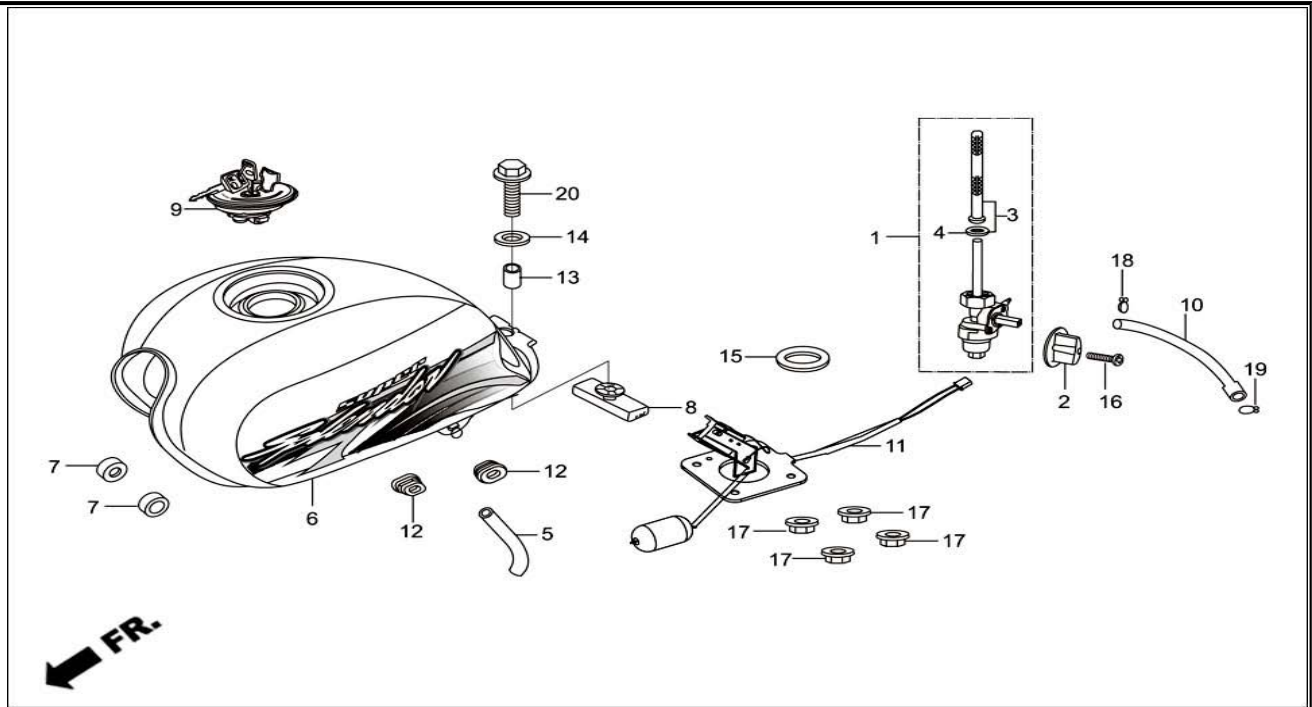
Service Item	F.R.T.	BOM Of Group Number: F-12 Model :: SUPER Splendor (May, 2012)			
		Ref No.	Part Number	Description	Req.
*SEAT ASSY., DOUBLE	0.1	1	17512-KCC-900	STOPPER, TANK LID	2
*SET, CENTER RR. COWL	--	2	50400-KTC-A20ZA	GRIP, REAR (BLACK-1)	1
*SET, RIGHT SIDE COWL	--		50400-KTC-A20ZE	GRIP, REAR (CANDY BLAZING RED)	1
*SET, LEFT SIDE COWL	--		50400-KTC-A20ZG	GRIP, REAR (EBONY GRAY ME.)	1
*PIPE ASSY., REAR GRIP	0.2	3	77200-KTC-A20	SEAT, ASSY., DOUBLE	1
		4	77202-KCC-900	RUBBER, SEAT MOUNTING	4
		5	77204-KCC-900	RUBBER, `A` SEAT SETTING	1
		6	77206-KCC-900	RUBBER, SEAT CUSHION	6
		7	7720A-KTC-A20	COVER, SEAT ASSY.,	1
		8	77235-AAG-H20ZA	SET, CENTER RR COWL(BLACK, NH-1)	1
			77235-AAG-H20ZD	SET, CENTER RR COWL(FORCE SILVER ME., NH-411M)	1
			77235-AAG-H20ZE	SET, CENTER RR COWL(CANDY BLAZING RED, R-195C)	1
			77235-AAG-H20ZF	SET, CENTER RR COWL(VIBRANT BLUE ME., B-374M)	1
			77235-AAG-H20ZG	SET, CENTER RR COWL(EBONY GRAY ME., NH-A63M)	1
		9	77240-KTC-A20ZA	SET, R BODY COWL (BLACK-1)	1
			77240-KTC-A20ZB	SET, R BODY COWL (BLACK-2)	1
			77240-KTC-A20ZC	SET, R BODY COWL (BLACK-3)	1
			77240-KTC-A20ZD	SET, R BODY COWL (FORCE SILVER ME.)	1
			77240-KTC-A20ZE	SET, R BODY COWL (CANDY BLAZING RED)	1
			77240-KTC-A20ZF	SET, R BODY COWL (VIBRANT BLUE ME.)	1

F-12
SEAT ASSY./RR COWL/REAR GRIP

**IMAGE
NOT
PRESENT**

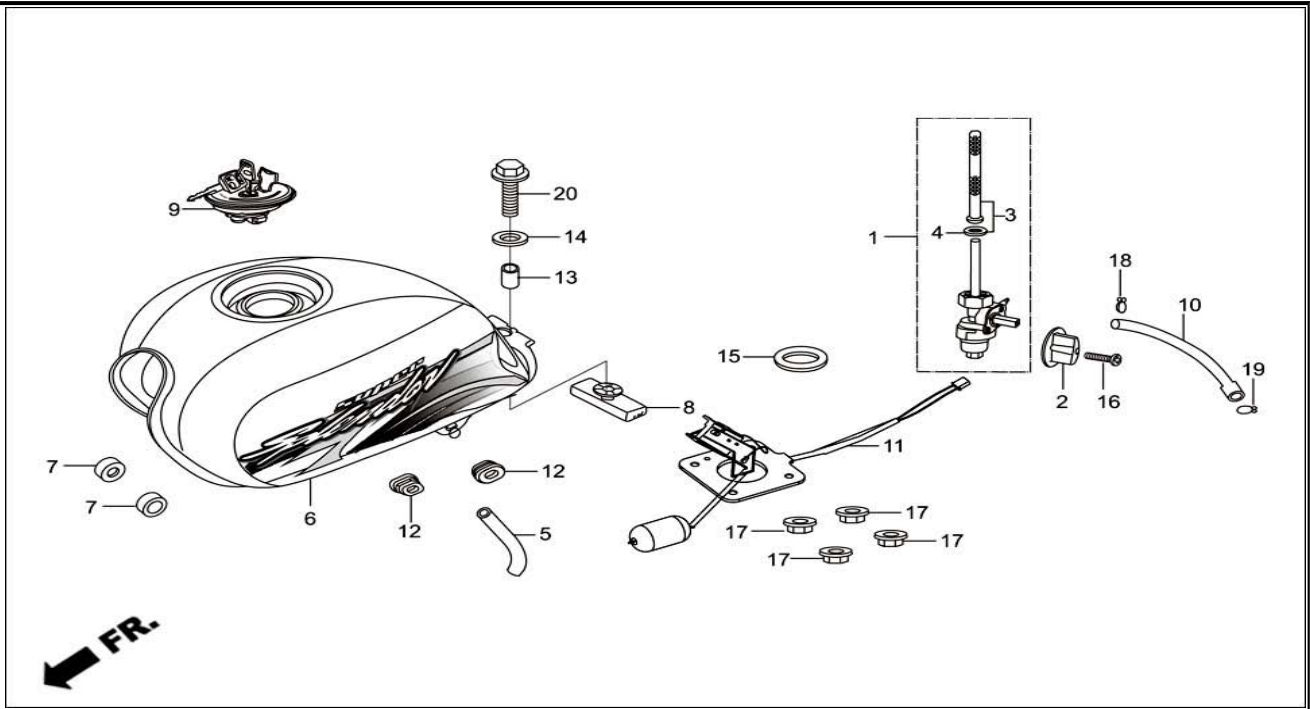
Service Item	F.R.T.	BOM Of Group Number: F-12 Model :: SUPER Splendor (May, 2012)			
		Ref No.	Part Number	Description	Req.
*SEAT ASSY., DOUBLE	0.1		77240-KTC-A20ZG	SET, R BODY COWL (EBONY GRAY ME.)	1
*SET, CENTER RR. COWL	--	10	77250-KTC-A20ZA	SET, L BODY COWL (BLACK-1)	1
*SET, RIGHT SIDE COWL	--		77250-KTC-A20ZB	SET, L BODY COWL (BLACK-2)	1
*SET, LEFT SIDE COWL	--		77250-KTC-A20ZC	SET, L BODY COWL (BLACK-3)	1
*PIPE ASSY., REAR GRIP	0.2		77250-KTC-A20ZD	SET, L BODY COWL (FORCE SILVER ME.)	1
			77250-KTC-A20ZE	SET, L BODY COWL (CANDY BLAZING RED)	1
			77250-KTC-A20ZF	SET, L BODY COWL (VIBRANT BLUE ME.)	1
			77250-KTC-A20ZG	SET, L BODY COWL (EBONY GRAY ME.)	1
		11	83551-300-000	GROMMET, AIR CLEANER CASE	2
		12	84702-KCC-900	COLLAR, STAY NO. PLATE SET	4
		13	90101-GEO-000	SCREW, HINGE PATCH	2
		14	90563-355-000	WASHER, WHEEL, 6 MM	4
		15	90320-GC3-000	NUT, SPRING, M5	4
		16	93903-24320	SCREW, TAPPING, 4x12	4
		17	95701-06020-08	BOLT, FLANGE, 6 X 20	2
		18	95701-06025-18	BOLT, FLANGE, 6 X 25	4
		19	95701-08022-08	BOLT, FLANGE, 8 X 22	4

F-13
FUEL TANK



Service Item	F.R.T.	BOM Of Group Number: F-13 Model :: SUPER Splendor (May, 2012)			
		Ref No.	Part Number	Description	Req.
*COCK ASSY., FUEL	0.2	1	16950-KTR-901	COCK ASSY., FUEL	1
*SCREEN, FUEL STRAINER	--	2	16955-KTC-A20	LEVER FUEL COCK	1
*TANK SET, FUEL	0.3	3	16952-KCC-900	SCREEN, FUEL STRAINER	1
*UNIT ASSY., FUEL	--	4	16958-397-770	O-RING	1
		5	17199-KTC-A20	TUBE DRAIN	1
		6	17505-KTC-A20ZA	SET, FUEL TANK (BLACK-1)	1
			17505-KTC-A20ZB	SET, FUEL TANK (BLACK-2)	1
			17505-KTC-A20ZC	SET, FUEL TANK (BLACK-3)	1
			17505-KTC-A20ZD	SET, FUEL TANK (FORCE SILVER ME.)	1
			17505-KTC-A20ZE	SET, FUEL TANK (CANDY BLAZING RED)	1
			17505-KTC-A20ZF	SET, FUEL TANK (VIBRANT BLUE ME.)	1
			17505-KTC-A20ZG	SET, FUEL TANK (EBONY GRAY ME.)	1
		7	17611-KTR-A00	CUSHION, FRONT FUEL TANK	2
		8	17613-KTR-A00	CUSHION, REAR TANK	1
		9	17620-GE2-931	CAP COMP., FULE FILLER	1
		10	17681-KTC-900	TUBE FUEL, 4.5 X 130	1
		11	37800-KTC-A21	UNIT, ASSY., FUEL	1
		12	83551-300-000	GROMMET, AIR CLEANER CASE	2
		13	90324-KCC-900	COLLAR, 8 MM	1
		14	90325-KCC-900	WASHER, PLAIN, 8 MM	1

F-13
FUEL TANK



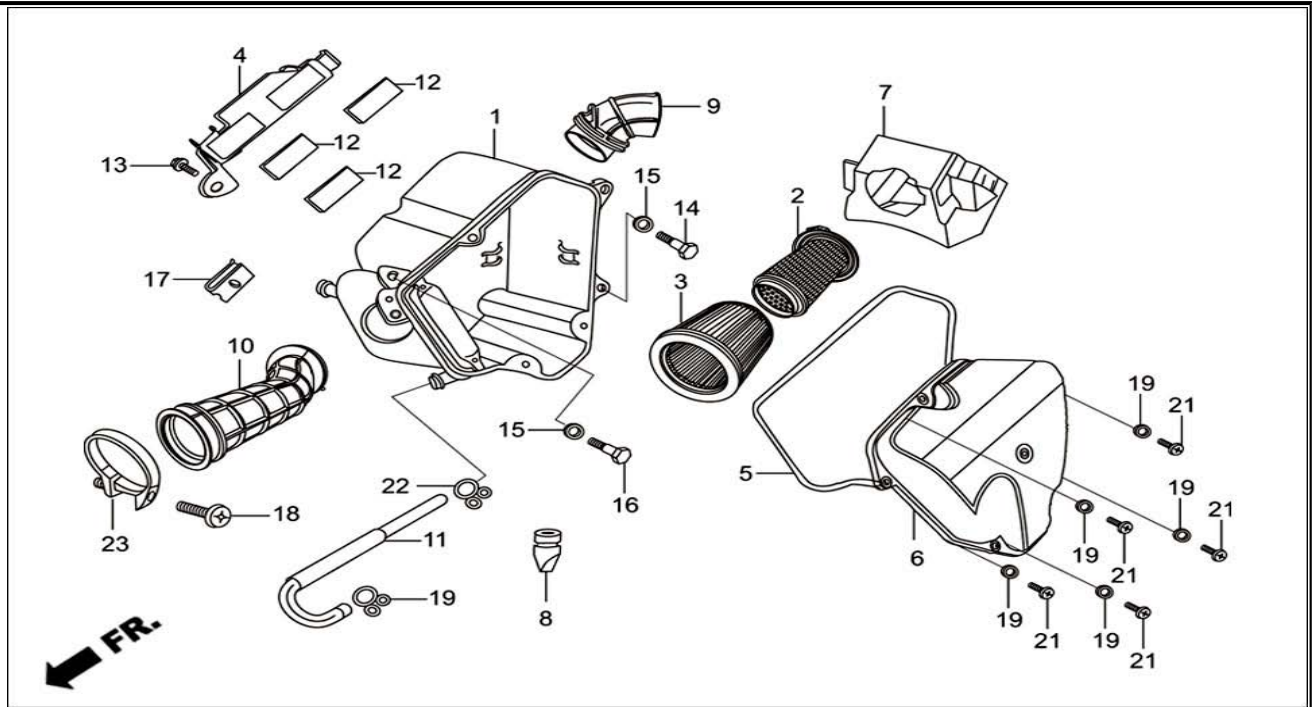
Service Item	F.R.T.	BOM Of Group Number: F-13 Model :: SUPER Splendor (May, 2012)			
		Ref No.	Part Number	Description	Req.
*COCK ASSY., FUEL	0.2	15	91305-443-740	'O' RING, 39.5 X 5	1
*SCREEN, FUEL STRAINER	--	16	93500-04025-0G	SCREW, PAN, 4X25	1
*TANK SET, FUEL	0.3	17	94050-06000	NUT, FLANGE, 6 MM	4
*UNIT ASSY., FUEL	--	18	95002-02080	CLIP, TUBE	1
		19	95002-02100	CLIP, B-10 TUBE	1
		20	95701-08035-08	BOLT, FLANGE, 8 X 35	1

F-14
SIDE COVER

**IMAGE
NOT
PRESENT**

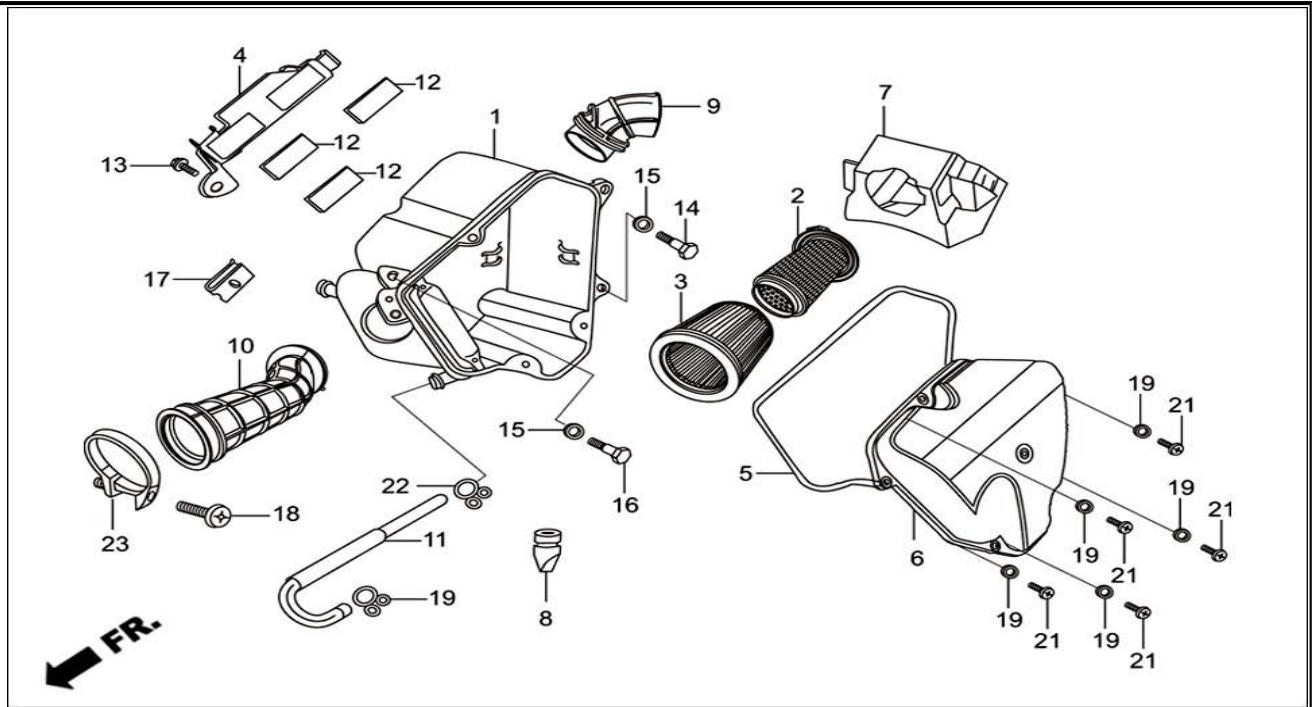
Service Item	F.R.T.	BOM Of Group Number: F-14 Model :: SUPER Splendor (May, 2012)			
		Ref No.	Part Number	Description	Req.
*SET, RIGHT SIDE COVER	0.1	1	75581-673-000	SET SPRING, LOCK KEY	1
*SET, LEFT SIDE COVER	0.1	2	83500-AAG-H20ZA	SET, R SIDE COVER(TYPE-1)	1
			83500-AAG-H20ZB	SET, R SIDE COVER(TYPE-2)	1
			83500-AAG-H20ZC	SET, R SIDE COVER(TYPE-3)	1
			83500-AAG-H20ZD	SET, R SIDE COVER(TYPE-4)	1
			83500-AAG-H20ZE	SET, R SIDE COVER(TYPE-5)	1
			83500-AAG-H20ZF	SET, R SIDE COVER(TYPE-6)	1
			83500-AAG-H20ZG	SET, R SIDE COVER(TYPE-7)	1
		3	83550-KTC-A01	LOCK, SIDE COVER	1
		4	83600-AAG-H20ZA	SET, L SIDE COVER(TYPE-1)	1
			83600-AAG-H20ZB	SET, L SIDE COVER(TYPE-2)	1
			83600-AAG-H20ZC	SET, L SIDE COVER(TYPE-3)	1
			83600-AAG-H20ZD	SET, L SIDE COVER(TYPE-4)	1
			83600-AAG-H20ZE	SET, L SIDE COVER(TYPE-5)	1
			83600-AAG-H20ZF	SET, L SIDE COVER(TYPE-6)	1
			83600-AAG-H20ZG	SET, L SIDE COVER(TYPE-7)	1
		5	90101-GEO-000	SCREW, HINGE PATCH	1
		6	90381-KWA-940	SCREW SPECIAL 6×13	1

F-15 AIR CLEANER



Service Item	F.R.T.	BOM Of Group Number: F-15 Model :: SUPER Splendor (May, 2012)			
		Ref No.	Part Number	Description	Req.
*CASE, SUB ASSY., AIR/C	0.3	1	17210-KWA-840	CASE COMP, AIR/C	1
*ELEMENT, AIR/C	0.2	2	17212-KTC-900	HOLDER, ELEMENT	1
*HOLDER, ELEMENT	--	2A	17212-KCC-900	HOLDER ELEMENT	1
*COVER SUB ASSY., AIR/C	--	3	17213-KWA-940	ELEMENT AIR/C	1
*DUCT, AIR/C INLET	--	4	17214-KWA-840	BAND, BATTERY	1
*TUBE, AIR/C CONN	--	5	17219-KTC-900	SEAL, A/I CLEANER	1
*BAND BATTERY	--	6	17235-KTC-900	COVER SUB ASSY. AIR/C	1
		7	17234-KTC-900	COVER, AIR/C DUCT	1
		8	17234-KCC-940	TUBE AIR CLEANER DRAIN	1
		9	17251-KTC-900	DUCT, AIR/C INLET	1
		10	17253-KTC-900	TUBE, AIR/C CONN.	1
		11	17365-KTC-900	TUBE, BREATHER	1
		12	83407-KTR-940	RUBBER, BATTERY	3
		13	90101-KWA-830	BOLT FLANGE 6X18	1
		14	90111-187-010	BOLT, HEX SPL. 6MM	2
		15	90111-187-020	WASHER, SPL. 8.5MM (DIA 16)	2
		15A	17218-KTC-900	SEAL AIR CLEANER	1
		16	90111-187-000	BOLT, FLANGE. 6 MM	2
		17	90311-MT3-000	NUT, CLIP, 6 MM	1
		18	93500-04032-OG	SCREW, PAN, 4 X 32	1

F-15
AIR CLEANER



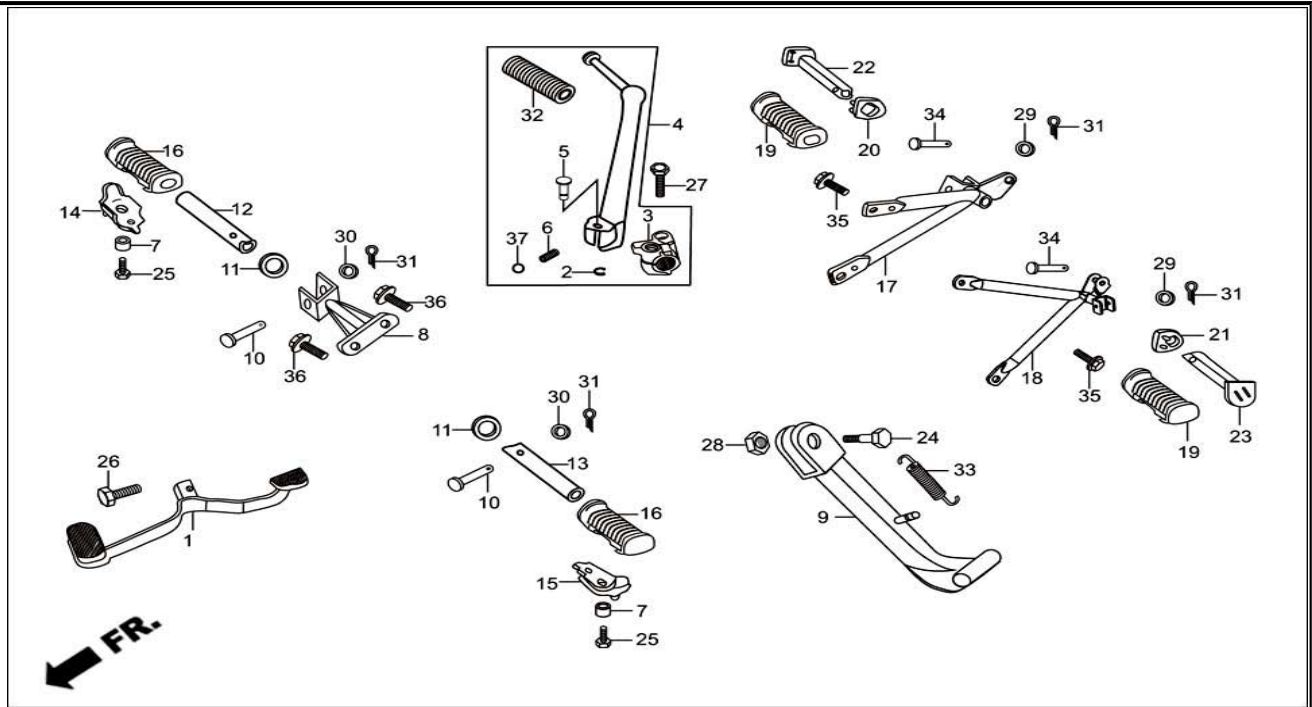
Service Item	F.R.T.	BOM Of Group Number: F-15 Model :: SUPER Splendor (May, 2012)			
		Ref No.	Part Number	Description	Req.
*CASE, SUB ASSY., AIR/C	0.3				
*ELEMENT, AIR/C	0.2	19	94101-05000	WASHER , PLAIN, 5MM	5
*HOLDER, ELEMENT	--	20	95002-02130	CLIP B 12.5 TUBE	1
*COVER SUB ASSY., AIR/C	--	21	93500-05016-0A	SCREW, PAN, 5 X 16	5
*DUCT, AIR/C INLET	--	22	95002-80000	CLIP,C12 TUBE	2
*TUBE, AIR/C CONN	--	23	95018-46250	BAND 46, AIR/C CONN. TUBE	1
*BAND BATTERY	--				

F-16
MUFFLER EXH.

**IMAGE
NOT
PRESENT**

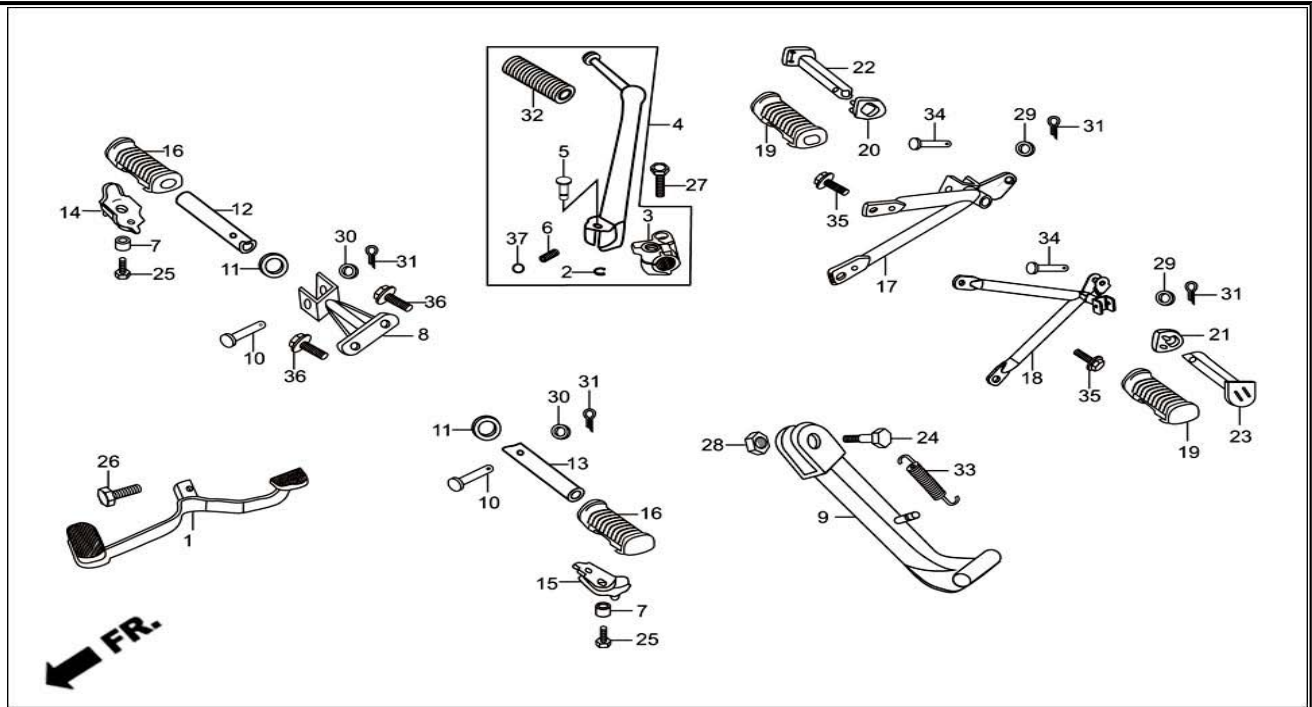
Service Item	F.R.T.	BOM Of Group Number: F-16 Model :: SUPER Splendor (May, 2012)			
		Ref No.	Part Number	Description	Req.
*COVER, EXH.PIPE	0.1	1	18291-KTR-A00	GASKET, EXHAUST PIPE	1
*GASKET, EXH. PIPE	--	2	18293-KPK-900	RUBBER, PKG. PROTECTOR	1
*GUIDE, TUBE	0.2	3	18345-MBT-610	RUBBER, PROTECTOR, MOUNT	2
*MUFFLER COMP., EXH.	0.3	4	18350-AAG-H00	MUFFLER COMP EXH	1
		4A	18351-KTR-A20	GUARD, MUFFLER	1
		5	18355-KTC-A20	COVER, MUFFLER	1
		6	33619-459-840	COLLAR, WINKER STAY	2
		7	50181-KTR-940	GUIDE,HOSE	1
		8	50505-KCC-900	STOPPER RUBBER, 'A' STAND	1
		9	90107-KAN-900	BOLT, BODY COVER SET	2
		10	90304-KPH-900	NUT, HEX. CAP, 8 MM	2
		11	94050-06000	NUT, FLANGE, 6 MM	1
		12	95701-08016-00	BOLT, FLANGE, 8X16	1

F-17
STEP ASSY./KICK STARTER/GEAR CHANGE PEDAL/SIDE
STAND



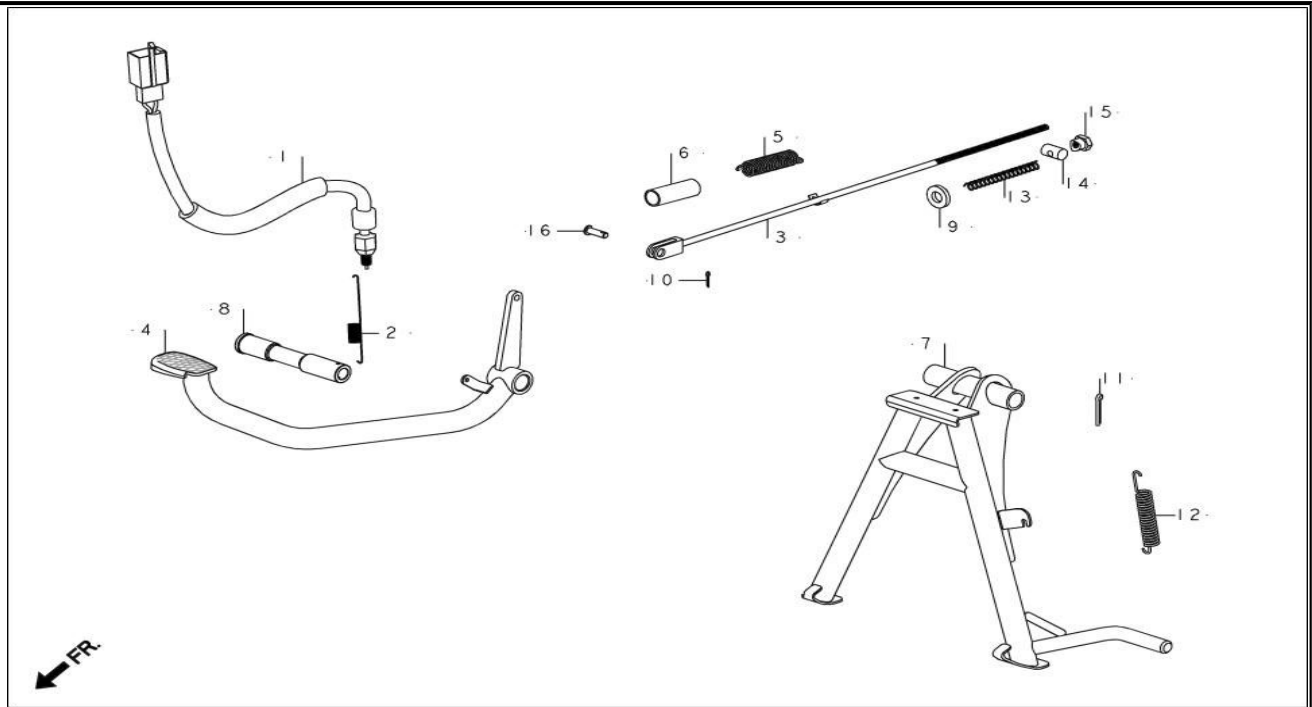
Service Item	F.R.T.	BOM Of Group Number: F-17 Model :: SUPER Splendor (May, 2012)			
		Ref No.	Part Number	Description	Req.
*PEDAL, GEAR CHANGE	0.1	1	24701-KTR-A00	PEDAL, GEAR CHANGE	1
*ARM ASSY., KICK STARTER	--	2	28293-KAG-900	CLIP, KICK STARTER	1
*BAR COMP., SIDE STAND	--	3	28302-KTC-900	JOINT, KICK ARM	1
*BRACKET COMP., RIGHT/LEFT	--	4	2830A-KTC-900	ARM ASSY. COMP., KICK STARTER	1
PILLION STEP	--	5	28321-KTC-900	PIN, KICK STARTER	1
		6	28333-124-000	SPRING, KICK STARTER STOPPER	1
		7	37243-323-000	COLLAR , METER SET	2
		8	50160-KTC-900	BRKT. COMP., R STEP	1
		9	50530-KCC-900	BAR COMP. SIDE STAND	1
		10	50603-KB4-000	PIN, MAIN STEP BAR JOINT	2
		11	50614-413-000	WASHER, MAIN STEP	2
		12	50618-KCC-000	BAR 'R' STEP	1
		13	50619-KCC-000	BAR 'L' STEP	1
		14	50620-KTC-900	STOPPER, `R' STEP RUBBER	1
		15	50621-KTC-900	STOPPER, `L' RUBBER STEP	1
		16	50661-425-670	RUBBER STEP	2
		17	50701-KTC-A20	BRKT. COMP., PILLION STEP 'R'	1
		18	50702-KTC-A20	BRACKET COMP., 'L' PILLION STEP	1
		19	50710-461-770	RUBBER, STEP PILLION	2
		20	50712-438-730	WASHER, 'R' PILLION STEP	1

F-17
STEP ASSY./KICK STARTER/GEAR CHANGE PEDAL/SIDE
STAND



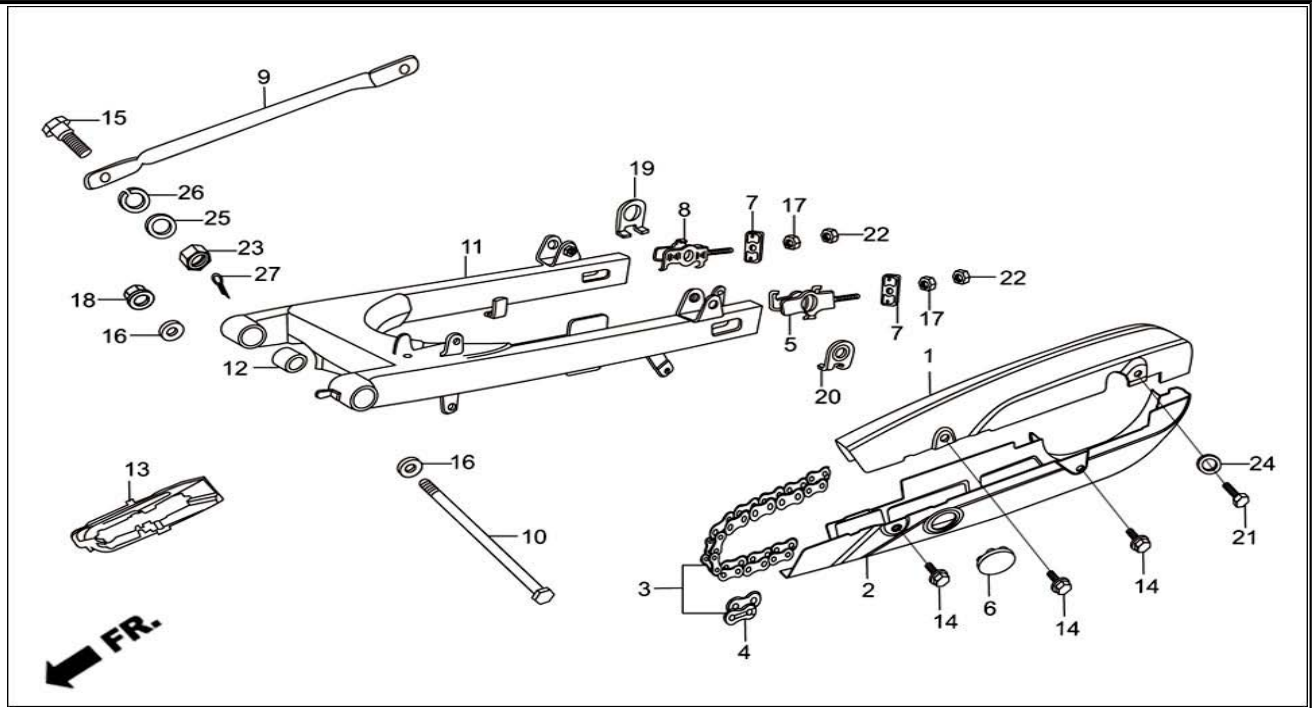
Service Item	F.R.T.	BOM Of Group Number: F-17 Model :: SUPER Splendor (May, 2012)			
		Ref No.	Part Number	Description	Req.
*PEDAL, GEAR CHANGE	0.1	21	50713-438-730	WASHER 'L' PILLION STEP	1
*ARM ASSY., KICK STARTER	--	22	50715-KCC-900	BAR 'R' PILLION STEP	1
*BAR COMP., SIDE STAND	--	23	50718-KCC-900	BAR 'L' PILLION STEP	1
*BRACKET COMP., RIGHT/LEFT PILLION STEP	--	24	90108-223-000	SCREW ,SIDE STAND PIVOT	1
		25	92000-06016-0A	BOLT, HEX., 6 X 16	2
		26	92000-06020-0H	BOLT HEX., 6 X 20	1
		27	92101-08032-0A	BOLT HEX., 8 X 32	1
		28	94030-10000	NUT HEX., 10MM	1
		29	94101-06000	WASHER, PLAIN, 6 MM	2
		30	94101-08000	WASHER, PLAIN, 8MM	2
		31	94201-16150	PIN, SPLIT, 1.6 X 15	4
		32	95011-51000	RUBBER,' A' KICK STARTER	1
		33	95014-72302	SPRING, 'C' SIDE STAND	1
		34	95015-81000	BOLT, INNER, COVER 6 X 25	2
		35	95701-08016-07	BOLT FLANGE, 8 X 16	2
		36	95701-10045-07	BOLT FLANGE, 10 X 45	2
		37	96211-08000	BALL STEEL 8 MM	1

F-18
MAIN STAND/PEDAL BRAKE



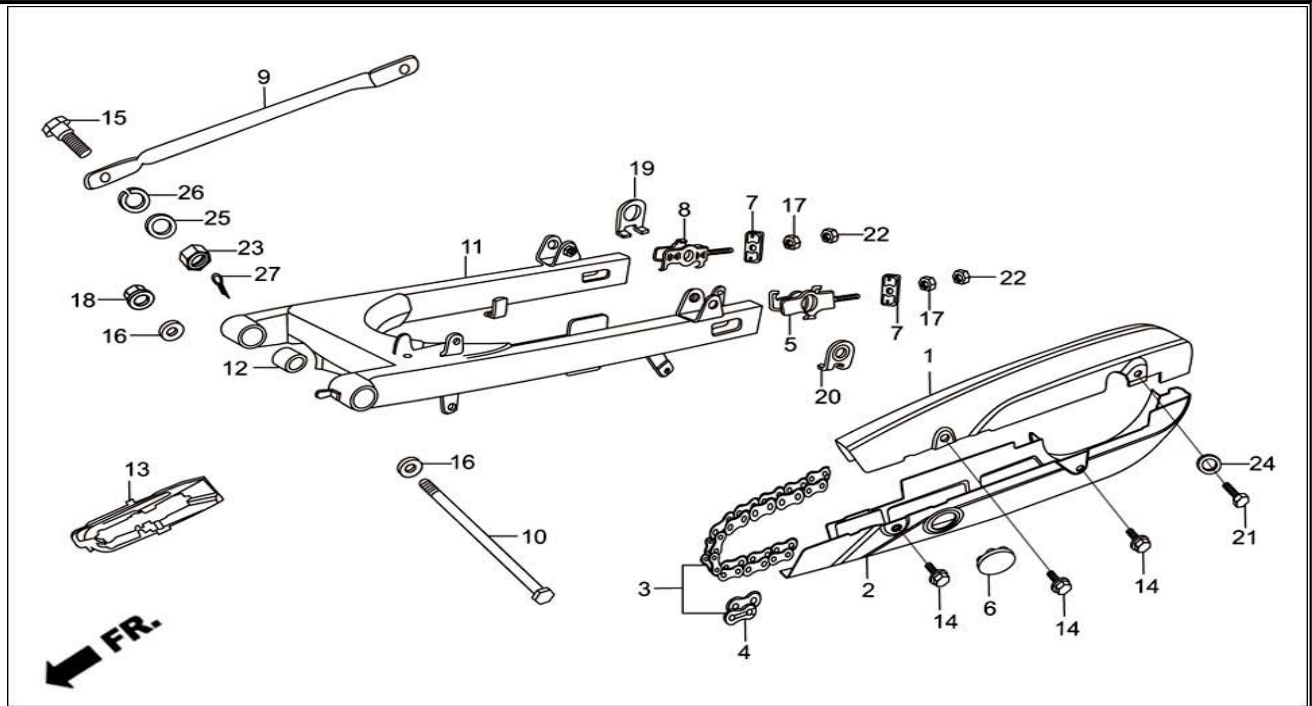
Service Item	F.R.T.	BOM Of Group Number: F-18 Model :: SUPER Splendor (May, 2012)			
		Ref No.	Part Number	Description	Req.
SWITCH ASSY., RR. STOP	0.2	1	35350-KTR-A00	SWITCH ASSY, REAR STOP	1
ROD COMP. RR. BRAKE	0.3	2	35357-KCC-900	SPRING STOP SWITCH	1
PEDAL, BRAKE	0.5	3	43451-KTC-900	ROD COMP. RR. BRAKE	1
SPRING , BRAKE PEDAL	0.1	4	46500-KTR-A00	PEDAL BRAKE	1
STAND COMP., MAIN	0.4	5	46514-KCC-900	SPRING , BRAKE PEDAL	1
		6	46515-KB9-000	TUBE , BRAKE PEDAL SPRING	1
		7	50500-KTR-A00	STAND COMP.MAIN	1
		8	50512-KTC-900	PIPE, RR. BRAKE PIVOT	1
		9	90502-198-900	WASHER , BRAKE ROD	1
		10	94201-20150	PIN, SPLIT, 2.0 X 15	1
		11	94201-30250	PIN, SPLIT, 3.0 X 25	1
		12	95014-71702	SPRING 'G' MAIN STAND	1
		13	95014-73100	SPRING 'A' BRAKE ROD	1
		14	95015-32001	JOINT 'B' BRAKE ARM	1
		15	95015-42000	NUT `B' BRAKE ROD ADJUSTING	1
		16	95015-53000	PIN, 'C' JOINT	1

F-19
SWINGARM/CHAIN CASE



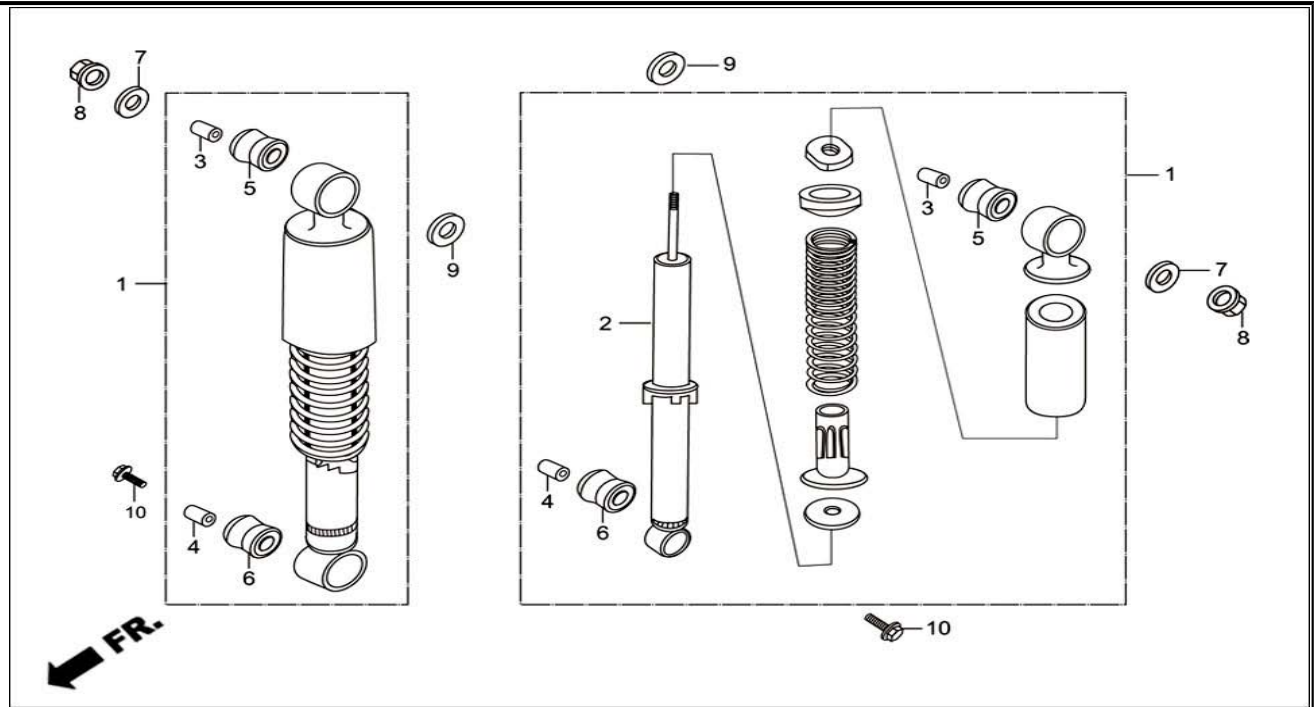
Service Item	F.R.T.	BOM Of Group Number: F-19 Model :: SUPER Splendor (May, 2012)			
		Ref No.	Part Number	Description	Req.
*CASE, UPPER (HALF) DRIVE CHAIN (ONE OR ALL)	0.1 --	1	40510-KTC-A20	CASE, UPPER(HALF) DRIVE CHAIN	1
*CHAIN, DRIVE	0.3	2	40520-KTC-A20	CASE, UNDER(HALF) DRIVE CHAIN	1
*ARM, RR BRAKE STOPPER	0.2	3	40530-KCC-900	CHAIN, DRIVE (428-108)	1
*SWING ARM, SUB ASSY., RR	0.7	4	40531-205-013	JOINT,RJ DRIVE CHAIN'	1
RUBBER BUSH, RR. FORK PIVOT	1.0	5	40543-KTR-900	ADJUSTER COMP., L CHAIN	1
*PACKING, DRIVE CHAIN CASE	--	6	40545-001-000	CAP, CHAIN PEEP HOLE	1
		7	40546-KPG-T00	CAP SWINGARM, END	2
		8	40546-KTR-900	ADJUSTER COMP., R CHAIN	1
		9	43431-KTR-900	ARM, RR, BRAKE STOPPER	1
		10	52101-KTC-900	BOLT, SWINGARM PIVOT	1
		11	52110-KTR-940	SWINGARM, COMP. RR	1
		12	52147-KTC-900	RUBBER BUSH, RR. FORK PIVOT	2
		13	52170-KTR-900	SLIDER, CHAIN	1
		14	90118-383-000	BOLT, WASHER, 6 X6	3
		15	90133-331-770	BOLT, HEX., 8MM	1
		16	90183-KTC-900	WASHER, SPL., 12 MM	2
		17	90302-KBP-900	NUT SPL 6 MM	2
		18	90306-KST-942	NUT, CASTLE, 12 MM	1
		19	90558-KTR-900	WASHER, RR AXLE (RIGHT)	1
		20	90559-KTR-900	WASHER, RR AXLE (LEFT)	1

F-19
SWINGARM/CHAIN CASE



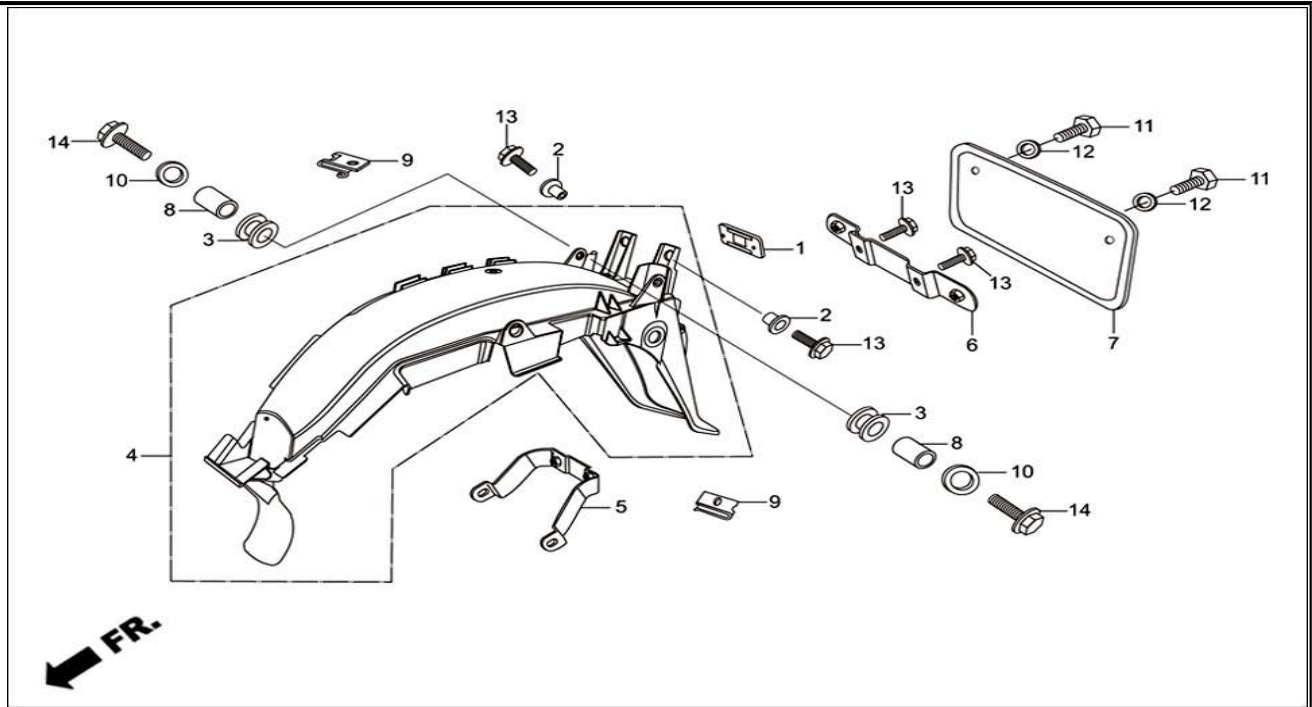
Service Item	F.R.T.	BOM Of Group Number: F-19 Model :: SUPER Splendor (May, 2012)			
		Ref No.	Part Number	Description	Req.
*CASE, UPPER (HALF) DRIVE CHAIN (ONE OR ALL)	0.1 --	21	92000-06012-0A	BOLT,HEX.,6X12	1
*CHAIN, DRIVE	0.3	22	94001-06000-0S	NUT, HEX., 6 MM	2
*ARM, RR BRAKE STOPPER	0.2	23	94001-08000-0S	NUT, HEX., 8 MM	1
*SWING ARM, SUB ASSY., RR	0.7	24	94101-06000	WASHER, PLAIN, 6 MM	1
RUBBER BUSH, RR. FORK PIVOT	1.0	25	94101-08000	WASHER, PLAIN, 8MM	1
*PACKING, DRIVE CHAIN CASE	--	26	94111-10000	WASHER, SPRING, 10MM	1
		27	94201-20150	PIN, SPLIT, 2.0 X 15	1

F-20
REAR CUSHION



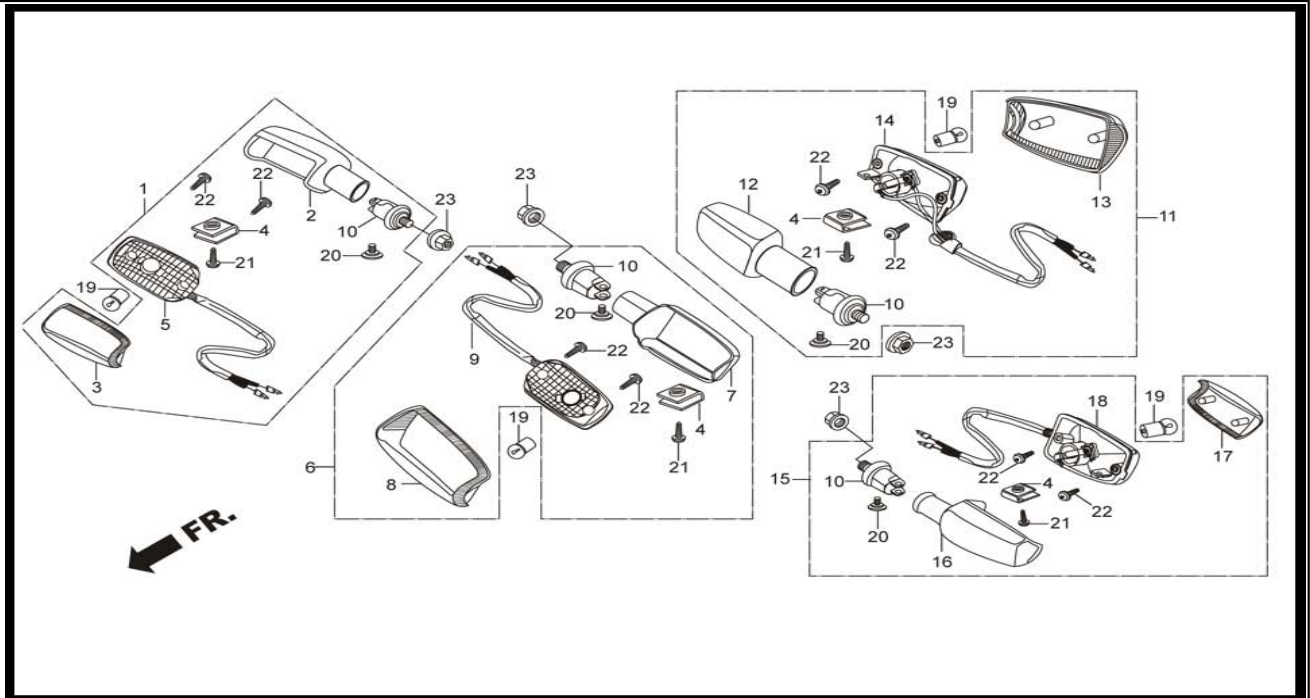
Service Item	F.R.T.	BOM Of Group Number: F-20 Model :: SUPER Splendor (May, 2012)			
		Ref No.	Part Number	Description	Req.
*CUSHION ASSY., REAR (ONE OR ALL)	0.2 --	1	52400-KTC-A21	CUSHION ASSY., REAR	2
*DAMPER COMP., REAR (ADD 0.2 FOR EACH)	0.4 --	2	52410-KTC-A21	DAMPER COMP., REAR	2
		3	52486-056-000	COLLAR, RUBBER BUSH (UPPER)	2
		4	52486-KAG-900	COLLAR ,RUBBER BUSH (UNDER)	2
		5	52489-399-600	BUSH ,RUBBER (UPPER)	2
		6	52495-098-000	BUSH, RUBBER (UNDER)	2
		7	90551-178-000	WASHER,SPL., 10MM	2
		8	94050-10000	NUT, FLANGE, 10MM	2
		9	94101-12800	WASHER,PLAIN ,12 MM	2
		9A	94002-10000-0S	NUT, HEX, 10MM	1
		10	95801-10035-02	BOLT, FLANGE, 10 X 35	2

F-21
REAR FENDER



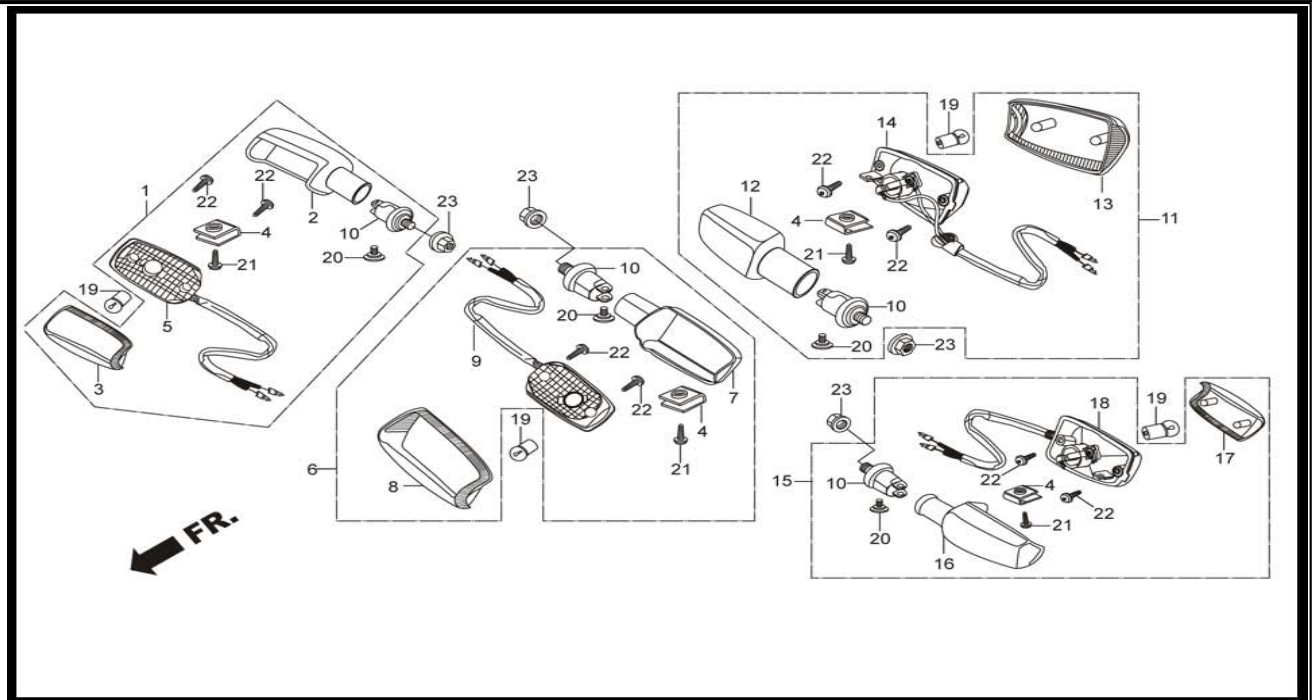
Service Item	F.R.T.	BOM Of Group Number: F-21 Model :: SUPER Splendor (May, 2012)			
		Ref No.	Part Number	Description	Req.
*FENDER COMP., REAR	0.6	1	33741-KST-920	REFLEX REFLECTOR	1
*BRACKET, RR. NO. PLATE	--	2	61107-KK6-000	WASHER, 6MM	2
*PLATE, RR. WINKER	--	3	77202-KCC-900	RUBBER, SEAT MOUNTING	2
		4	80100-KTC-A20	FENDER COMP., REAR	1
		5	80151-KTC-A20	PLATE, RR. WINKER	1
		6	84701-KTC-900	BRACKET, RR. NO. PLATE	1
		7	84701-P26-D00A	NUMBER, PLATE REAR	1
		8	84702-KCC-900	COLLAR, STAY NO. PLATE SET	2
		9	90320-GC3-000	NUT, SPRING, M5	2
		10	90563-355-000	WASHER, WHEEL, 6 MM	2
		11	92000-06012-0A	BOLT, HEX., 6X12	2
		12	94101-06000	WASHER, PLAIN, 6 MM	2
		12A	94002-06000-0S	NUT, HEX 6MM	1
		13	95701-06016-08	BOLT , FLANGE 6 X 16	4
		14	95701-06020-08	BOLT, FLANGE, 6 X 20	2

F-22 WINKERS



Service Item	F.R.T.	BOM Of Group Number: F-22 Model :: SUPER Splendor (May, 2012)			
		Ref No.	Part Number	Description	Req.
*WINKER ASSY., R/L FR. (ADD 0.1 FOR EACH)	0.2 --	1	3340A-KTC-A21	WINKER ASSY., R. FR. (W/O BULB)	1
(INC. RELATIVE PART)	--	2	33401-KCC-730	BASE, WINKER ` R' FR./` L' RR	1
*WINKER ASSY., R/L RR. (ONE OR ALL)	0.3 --	3	33405-KCC-730	REFLECTOR, COMP. WINKER ` R' FR.	1
(INC. RELATIVE PART)	--	4	33407-KCC-900	SPECIAL NUT	4
(EXC. RELATED PARTS BELOW)	--	5	33415-KTC-A21	SOCKET COMP., R. FR. WINKER	1
*BULB, WINKER	0.1	6	3345A-KTC-A21	WINKER ASSY. L. FRONT (W/O BULB)	1
*WHEN SERVICING COMP., UNIT, (F.R.T. IS 0.2)	--	7	33451-KCC-730	BASE, WINKER ` L' FR./` R' RR	1
		8	33402-KCC-690	LENS, WINKER	1
		9	33465-KTC-A21	SOCKET COMP., L. WINKER	1
		10	33491-KAF-003	STAY, COMP. WINKER	4
		11	3360A-KTC-A21	WINKER ASSY. R. RR (W/O BULB).	1
		12	33605-KCC-730	REFLECTOR, COMP. WINKER ` R' REAR	1
		13	33408-KCC-730	PACKING, LENS	1
		14	33615-KTC-A21	SOCKET COMP., R. RR WINKER	1
		15	3365A-KTC-A21	WINKER ASSY. L. RR (W/O BULB)	1
		16	33451-KCC-730	BASE, WINKER ` L' FR./` R' RR	1
		16A	33455-KCC-730A	REFLECTOR WINKER L. FR.	1
		17	33402-KCC-690Z	LENS WINKER	1
		18	33665-KTC-A21	SOCKET COMP., L. RR WINKER	1
		18A	33655-KCC-730A	REFLECTOR WINKER 'L'	1

F-22 WINKERS



Service Item	F.R.T.	BOM Of Group Number: F-22 Model :: SUPER Splendor (May, 2012)			
		Ref No.	Part Number	Description	Req.
*WINKER ASSY., R/L FR.	0.2	19	34930-KWA-930	BULB AMBER (12V 10W)	4
(ADD 0.1 FOR EACH)	--	20	90380-MB2-000	SCREW, SPECIAL, 6 X 8	4
(INC. RELATIVE PART)	--	21	93700-04012-1G	SCREW OVAL 4 X 12	4
*WINKER ASSY., R/L RR.	0.3	22	93901-22310	SCREW, TAPPING, 3 X 12	8
(ONE OR ALL)	--	23	94050-10000	NUT, FLANGE, 10MM	4
(INC. RELATIVE PART)	--				
(EXC. RELATED PARTS BELOW)	--				
*BULB, WINKER	0.1				
*WHEN SERVICING COMP., UNIT,	--				
(F.R.T. IS 0.2)	--				

F-23
TAIL LIGHT

**IMAGE
NOT
PRESENT**

Service Item	F.R.T.	BOM Of Group Number: F-23 Model :: SUPER Splendor (May, 2012)			
		Ref No.	Part Number	Description	Req.
*UNIT TAIL LIGHT	0.4	1	3370A-AAG-H21	UNIT TAIL LIGHT(W/O BULB)	1
*LENS COMP., TAIL LIGHT	--	2	33702-KTC-A20	CUSHION TAIL LIGHT	2
*BASE COMP., TAIL LIGHT	--	3	33703-AAG-H21	LENS COMP TAIL LIGHT	1
*BULB, TAIL & STOP LIGHT	0.1	4	33704-KTC-900	BASE COMP., TAIL LIGHT	1
		5	33705-KTC-901	PACKING, LENS	1
		6	33705-KW7-900	RUBBER 'A' TAIL LIGHT MOUNT	1
		7	34907-KVN-901	BLUB, TAIL & STOP LIGHT	1
		8	61104-KM7-910	COLLAR,FAIRING	2
		8A	61103-357-000	RUBBER FR. FENDER MOUNT	2
		9	92000-05022-OH	BOLT, HEX., 5 X 22	2
		10	93901-24510	SCREW, TAPPING,4X20	2
		10A	93903-34480	SCREW, TAPPING, 4X 16	1
		10B	95701-06016-07	BOLT, FLANGE, 6 X 16	1

F-24
WIRE HARNESS

**IMAGE
NOT
PRESENT**

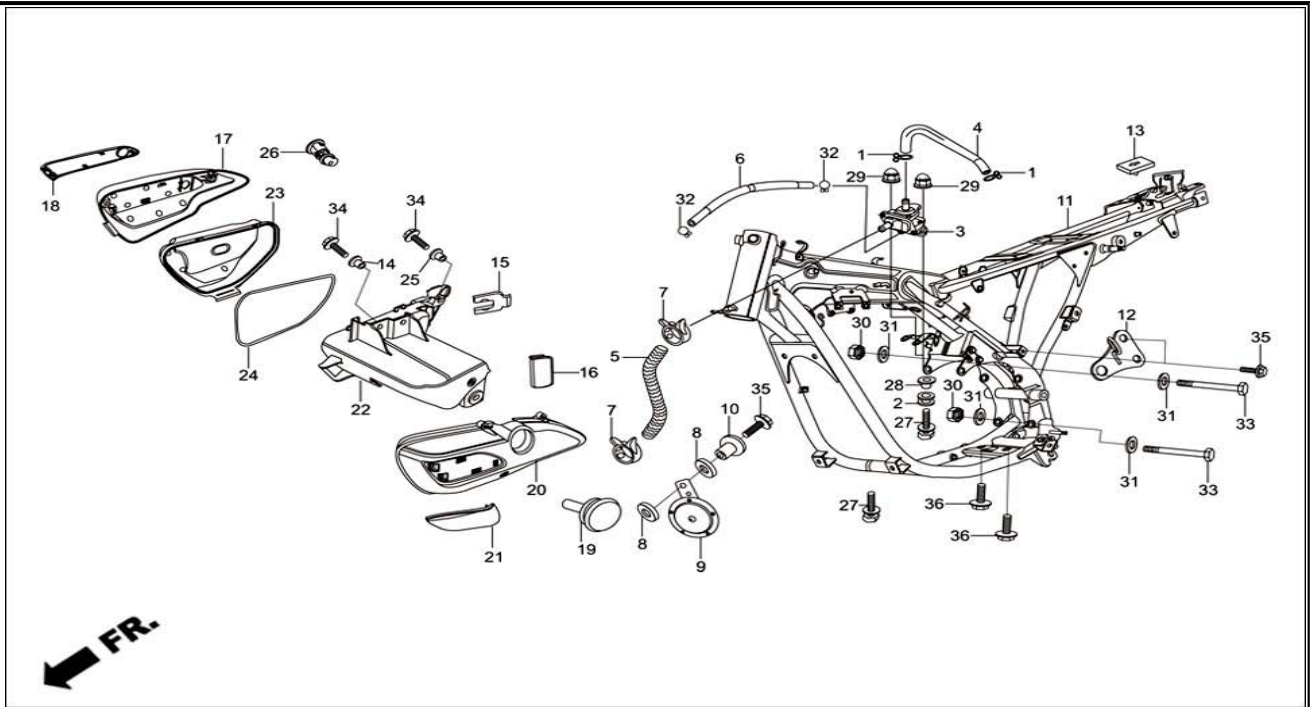
Service Item	F.R.T.	BOM Of Group Number: F-24 Model :: SUPER Splendor (May, 2012)			
		Ref No.	Part Number	Description	Req.
*UNIT COMP., C.D.I	0.4	1	30401-KTE-910	CUSHION, C.D.I. UNIT	1
*COIL ASSY., IGNITION	--	2	30410-KTC-A21	UNIT COMP., DIGITAL DC-CDI	1
*RECTIFIER COMP., REGULATOR	--	3	30500-AAG-H21	COIL ASSY IGN	1
*BATTERY ASSY.,	0.1	4	30700-KTC-A21	CAP ASSY., NOISE SUPPRESSOR	1
*RELAY COMP., WINKER	--	5	31500-KVT-801	BATTERY, ASSY.	1
*HARNESS, WIRE	0.9	6	31600-KTR-A01	REGULATOR, RECTIFIER COMP.,	1
		7	31700-124-000	RECTIFIER ASSY., SILICON	1
		8	32100-KTC-A20	HARNESS, WIRE	1
		9	32108-344-820	COVER, CONNECTOR	1
		9A	32108-GW6-700	COVER ,CONNECTOR	1
		9B	32108-KE8-000	COVER ,CONNECTOR	1
		10	32401-KTR-A00	CABLE, ST. MAG. BATT.	1
		11	32406-MAK-000	COVER, ST.MAG.TERMINAL	1
		12	32410-KTR-A00	CABLE, START MOTOR	1
		13	32411-253-000	COVER, STARTING MOTOR	1
		14	32417-KTR-A10	COVER, BAT. TERMINAL	1
		15	35850-KR3-870	SWITCH ASSY., START MAG.	1
		16	35856-KBG-007	RUBBER,SHOCK	1
		17	38301-KWA-931	RELAY COMP WINKER	1
		18	38306-GE7-000	SUSPENSION, WINKER RELAY	1

F-24
WIRE HARNESS

**IMAGE
NOT
PRESENT**

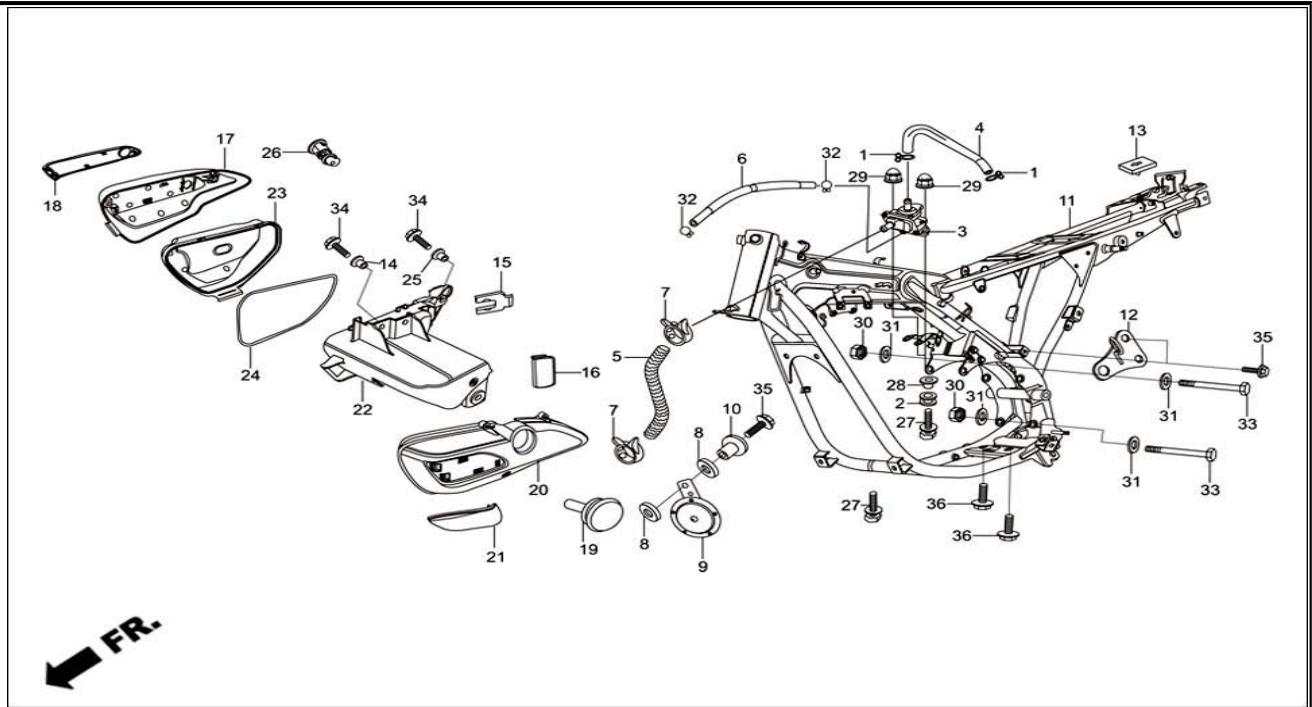
Service Item	F.R.T.	BOM Of Group Number: F-24 Model :: SUPER Splendor (May, 2012)			
		Ref No.	Part Number	Description	Req.
*UNIT COMP., C.D.I	0.4				
*COIL ASSY., IGNITION	--	19	38502-KSP-910	RELAY COMP., POWER (MICRO ISO 5P)	1
*RECTIFIER COMP., REGULATOR	--	20	38506-KSP-910	SUS., POWER RELAY	1
*BATTERY ASSY.,	0.1	21	90111-MR5-000	BOLT, SOCKET, 5X9	2
*RELAY COMP., WINKER	--	22	90122-KVT-941	BOLT BATTERY TERMINAL	2
*HARNESS, WIRE	0.9	23	90306-KVT-941	NUT BATTERY TERMINAL	1
		23A	90651-KV6-003	BAND WIRE	1
		24	90672-KPL-901	BODY, CLIP	1
		25	94021-06000-0S	NUT, HEX CAP 6MM	2
		26	95701-06016-08	BOLT , FLANGE 6 X 16	1
		27	98200-11000	FUSE, A10	2
		28	98200-31500	BLADE, FUSE, 15A	2
		29	98200-32000	BLADE, FUSE, 20A	1

F-25
FRAME BODY/UTILITY BOX



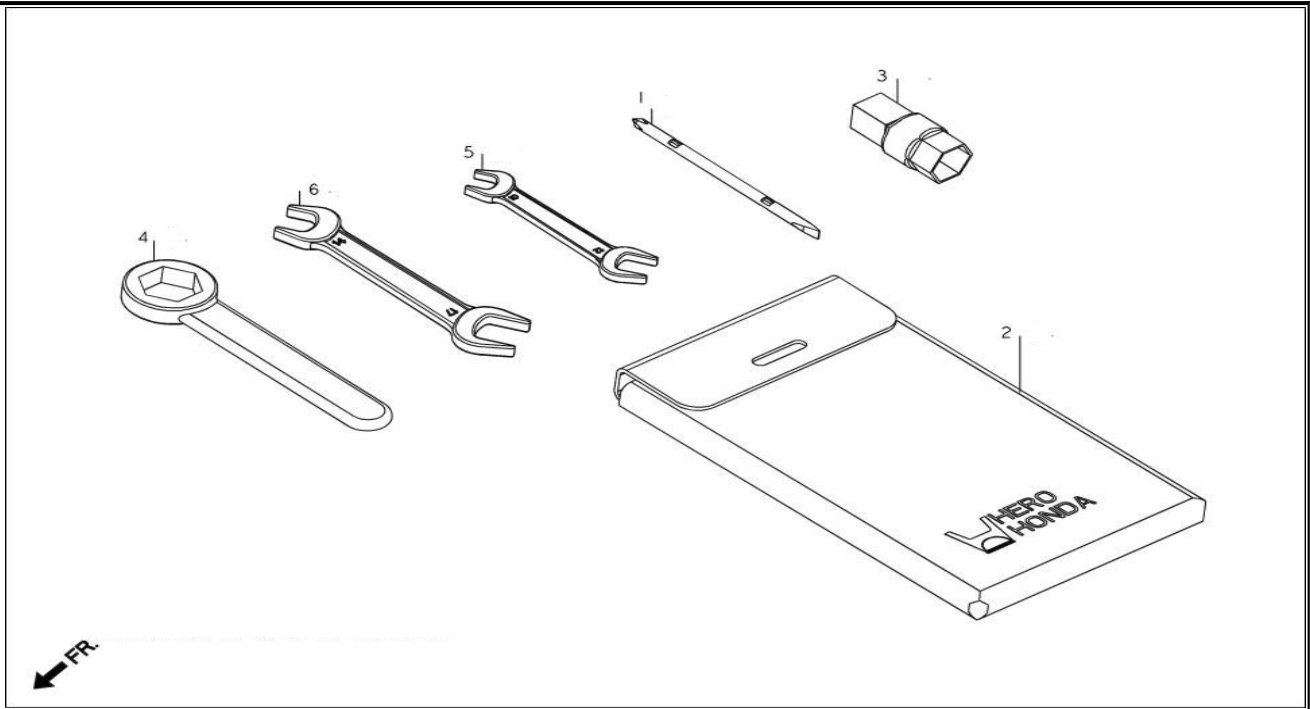
Service Item	F.R.T.	BOM Of Group Number: F-25 Model :: SUPER Splendor (May, 2012)			
		Ref No.	Part Number	Description	Req.
*BODY COMP., FRAME	5.0	1	17316-611-000	CLIP, BREATHER TUBE	2
*UTILITY BOX COMP., (INC. RELATIVE PART)	--	2	17622-GB7-900	RUBBER, CUSHION	2
	--	3	18600-KTR-A00	VALVE ASSY., AIR SUCTION	1
		4	18651-KWA-940	TUBE 'A' AVS	1
		5	18652-KTC-900	TUBE 'B' ASV	1
		6	18653-KTC-900	TUBE, `C' ASY	1
		7	19509-198-770	CLAMP D 16 TUBE	2
		8	33714-KL3-620	RUBBER, TAIL LIGHT	2
		9	38110-KTR-A01	HORN, COMP.,	1
		10	38117-KFE-701	COLLAR, HORN SET	1
		11	50100-KTC-A20	BODY COMP., FRAME	1
		12	50211-KTR-A00	BRACKET, ENGINE HANGER	1
		13	50225-KTC-900	RUBBER, SEAT CUSHION	1
		14	61107-KK6-000	WASHER, 6MM	1
		15	75581-673-000	SET SPRING, LOCK KEY	1
		16	83511-KTC-900	COVER, UTILITY BOX KEY	1
		17	83512-KTC-A20	COVER, 'R' UTILITY BOX	1
		18	83513-KTC-A20	ORNAMENT LID R. UTILITY BOX	1
		19	83514-KTC-A20	CAP HOLE	1
		20	83515-KTC-A20	COVER, 'L' UTILITY BOX	1

F-25
FRAME BODY/UTILITY BOX



Service Item	F.R.T.	BOM Of Group Number: F-25 Model :: SUPER Splendor (May, 2012)			
		Ref No.	Part Number	Description	Req.
*BODY COMP., FRAME	5.0	21	83516-KTC-A20	ORNAMENT LID R. UTILITY BOX	1
*UTILITY BOX COMP., (INC. RELATIVE PART)	--	22	83517-KTC-A20	UTILITY BOX COMP.,	1
	--	23	83518-KTC-A20	COVER,'R' INNER UTILITY BOX	1
		23A	83518-KVH-900	COLLAR, UTILITY BOX	1
		24	83519-KTC-A20	SEAL, UTILITY BOX	1
		25	83520-KTC-900	COLLAR, UTILITY BOX	2
		26	83550-KTC-A01	LOCK, SIDE COVER	1
		27	90101-KCC-940	BOLT WASH, 6 X 25	2
		28	90501-KC2-750	WASHER, REGULATOR SETTING	2
		29	94021-06000-0S	NUT, HEX CAP 6MM	2
		30	94030-10000	NUT HEX., 10MM	3
		31	94101-10000	WASHER, PLAIN, 10 MM	6
		32	95002-02070	CLIP, B-7 TUBE	2
		33	95301-10110-00	BOLT, HEX., 10 X 110	3
		34	95701-06016-08	BOLT , FLANGE 6 X 16	3
		35	95701-06020-07	BOLT, FLANGE, 6 X 20	1
		36	95701-08016-00	BOLT, FLANGE, 8X16	4

F-26
TOOLS



Service Item

F.R.T.

BOM Of Group Number: F-26 Model :: SUPER Splendor (May, 2012)

Ref No.	Part Number	Description	Req.
1	89102-KTC-900	DRIVER NO. 2, PLUS-MINUS	1
2	89216-KAG-910	BAG, TOOL	1
3	89216-KTC-900	WRENCH, SPARKING PLUG	1
4	89217-KTC-900	EYE, WRENCH, 17	1
4A	89218-KVH-850	EYE WRENCH 19	1
4B	99007-45000	PIN, SPANNER	1
5	99001-10120	SPANNER, 10 X 12	1
6	99001-14170	SPANNER, 14 X 17	1

F-27
STRIPES/MARKS

**IMAGE
NOT
PRESENT**

Service Item	F.R.T.	BOM Of Group Number: F-27 Model :: SUPER Splendor (May, 2012)			
		Ref No.	Part Number	Description	Req.
		1	77238-AAG-H200	MARK CENTER RR.COWL	1

F-27
STRIPES/MARKS

**IMAGE
NOT
PRESENT**

Service Item	F.R.T.	BOM Of Group Number: F-27 Model :: SUPER Splendor (May, 2012)			
		Ref No.	Part Number	Description	Req.
		2	86171-KTC-A20ZA	STRIPE R FUEL TANK(TYPE-1)	1
			86171-KTC-A20ZB	STRIPE R FUEL TANK(TYPE-2)	1
			86171-KTC-A20ZC	STRIPE R FUEL TANK(TYPE-3)	1
			86171-KTC-A20ZD	STRIPE R FUEL TANK(TYPE-4)	1
			86171-KTC-A20ZE	STRIPE R FUEL TANK(TYPE-5)	1
			86171-KTC-A20ZF	STRIPE R FUEL TANK(TYPE-6)	1
			86171-KTC-A20ZG	STRIPE R FUEL TANK(TYPE-7)	1

SPECIFIED COLOUR CHART FOR STRIPE, R. FUEL TANK												
SPECIFIED TYPE / COLOUR	A	B	C	E	H	I	J	K	P	S	V	MAIN BODY COLOUR
1	CLEAR	ROSS WHITE NH-196	BLACK NH-1	BLACK NH-1	ROSS WHITE NH-196	CANDY BLAZING RED R-195C	BLACK NH-1	ROSS WHITE NH-196	GRAY 3	CANDY BLAZING RED R-195C	BLACK NH-1	BLACK (NH-1K) TYPE-1
2	CLEAR	ROSS WHITE NH-196	BLACK NH-1	BLACK NH-1	ROSS WHITE NH-196	IRON NAIL SILVER ME.-U NH-167M-U	BLACK NH-1	ROSS WHITE NH-196	GRAY 3	PHANTOM GRAY ME. NH-215M	BLACK NH-1	BLACK (NH-1E) TYPE-2
3	CLEAR	ROSS WHITE NH-196	BLACK NH-1	BLACK NH-1	ROSS WHITE NH-196	MAURITANIA VIOLET ME. RP-138M	BLACK NH-1	ROSS WHITE NH-196	GRAY 3	MAURITANIA VIOLET ME. RP-138M	BLACK NH-1	BLACK (NH-1H) TYPE-3
4	CLEAR	FIGHTING RED R-134	FORCE SILVER ME. NH-411M	FIGHTING RED R-134	ROSS WHITE NH-196	BLACK NH-1	KARAKORUM GRAY ME.-U NH-197M-U	BLACK NH-1	IRON NAIL SILVER ME.-U NH-167M-U	BLACK NH-1	CLEAR	FORCE SILVER ME. (NH-411M)
5	CLEAR	ROSS WHITE NH-196	CANDY BLAZING RED R-195C	ROSS WHITE NH-196	ROSS WHITE NH-196	PHANTOM GRAY ME. NH-215M	BLACK NH-1	ROSS WHITE NH-196	GRAY 3	BLACK NH-1	CLEAR	CANDY BLAZING RED (R-195C)
6	CLEAR	ROSS WHITE NH-196	VIBRANT BLUE ME. PB-374M	VIBRANT BLUE ME. PB-374M	ROSS WHITE NH-196	NASSAU BLUE ME.-U PB-112M-U	BLACK NH-1	ROSS WHITE NH-196	GRAY 3	BLACK NH-1	CLEAR	VIBRANT BLUE ME. (PB-374M)
7	CLEAR	ROSS WHITE NH-196	EBONY GRAY ME. NH-A63M	EBONY GRAY ME. NH-A63M	ROSS WHITE NH-196	IRON NAIL SILVER ME.-U NH-167M-U	BLACK NH-1	ROSS WHITE NH-196	GRAY 3	BLACK NH-1	CLEAR	EBONY GRAY ME. (NH-A63M)

F-27
STRIPES/MARKS

**IMAGE
NOT
PRESENT**

Service Item	F.R.T.	BOM Of Group Number: F-27 Model :: SUPER Splendor (May, 2012)			
		Ref No.	Part Number	Description	Req.
		3	86172-KTC-A20ZA	STRIPE L FUEL TANK(TYPE-1)	1
			86172-KTC-A20ZB	STRIPE L FUEL TANK(TYPE-2)	1
			86172-KTC-A20ZC	STRIPE L FUEL TANK(TYPE-3)	1
			86172-KTC-A20ZD	STRIPE L FUEL TANK(TYPE-4)	1
			86172-KTC-A20ZE	STRIPE L FUEL TANK(TYPE-5)	1
			86172-KTC-A20ZF	STRIPE L FUEL TANK(TYPE-6)	1
			86172-KTC-A20ZG	STRIPE L FUEL TANK(TYPE-7)	1

SPECIFIED COLOUR CHART FOR STRIPE, L. FUEL TANK												
SPECIFIED TYPE / COLOUR	A	B	C	E	H	I	J	K	P	S	V	MAIN BODY COLOUR
1	CLEAR	ROSS WHITE NH-196	BLACK NH-1	BLACK NH-1	ROSS WHITE NH-196	CANDY BLAZING RED R-195C	BLACK NH-1	ROSS WHITE NH-196	GRAY 3	CANDY BLAZING RED R-195C	BLACK NH-1	BLACK (NH-1K) TYPE-1
2	CLEAR	ROSS WHITE NH-196	BLACK NH-1	BLACK NH-1	ROSS WHITE NH-196	IRON NAIL SILVER ME.-U NH-167M-U	BLACK NH-1	ROSS WHITE NH-196	GRAY 3	PHANTOM GRAY ME. NH-215M	BLACK NH-1	BLACK (NH-1E) TYPE-2
3	CLEAR	ROSS WHITE NH-196	BLACK NH-1	BLACK NH-1	ROSS WHITE NH-196	MAURITANIA VIOLET ME. RP-138M	BLACK NH-1	ROSS WHITE NH-196	GRAY 3	MAURITANIA VIOLET ME. RP-138M	BLACK NH-1	BLACK (NH-1H) TYPE-3
4	CLEAR	FIGHTING RED R-134	FORCE SILVER ME. NH-411M	FIGHTING RED R-134	ROSS WHITE NH-196	BLACK NH-1	KARAKORUM GRAY ME.-U NH-197M-U	BLACK NH-1	IRON NAIL SILVER ME.-U NH-167M-U	BLACK NH-1	CLEAR	FORCE SILVER ME. (NH-411M)
5	CLEAR	ROSS WHITE NH-196	CANDY BLAZING RED R-195C	ROSS WHITE NH-196	ROSS WHITE NH-196	PHANTOM GRAY ME. NH-215M	BLACK NH-1	ROSS WHITE NH-196	GRAY 3	BLACK NH-1	CLEAR	CANDY BLAZING RED (R-195C)
6	CLEAR	ROSS WHITE NH-196	VIBRANT BLUE ME. PB-374M	VIBRANT BLUE ME. PB-374M	ROSS WHITE NH-196	NASSAU BLUE ME.-U PB-112M-U	BLACK NH-1	ROSS WHITE NH-196	GRAY 3	BLACK NH-1	CLEAR	VIBRANT BLUE ME. (PB-374M)
7	CLEAR	ROSS WHITE NH-196	EBONY GRAY ME. NH-A63M	EBONY GRAY ME. NH-A63M	ROSS WHITE NH-196	IRON NAIL SILVER ME.-U NH-167M-U	BLACK NH-1	ROSS WHITE NH-196	GRAY 3	BLACK NH-1	CLEAR	EBONY GRAY ME. (NH-A63M)

F-27
STRIPES/MARKS

**IMAGE
NOT
PRESENT**

Service Item	F.R.T.	BOM Of Group Number: F-27 Model :: SUPER Splendor (May, 2012)			
		Ref No.	Part Number	Description	Req.
		4	86611-KTC-A20ZA	STRIPE R FR. COWL(TYPE-1)	1
			86611-KTC-A20ZB	STRIPE R FR COWL (TYPE-2)	1
			86611-KTC-A20ZC	STRIPE R FR COWL (TYPE-3)	1
			86611-KTC-A20ZD	STRIPE R FR COWL (TYPE-4)	1
			86611-KTC-A20ZE	STRIPE R FR COWL (TYPE-5)	1
			86611-KTC-A20ZF	STRIPE R FR COWL (TYPE-6)	1
			86611-KTC-A20ZG	STRIPE R FR COWL (TYPE-7)	1

SPECIFIED COLOUR CHART FOR STRIPE, R. FRONT COWL						
SPECIFIED COLOUR TYPE	A	B	C	S	V	MAIN BODY COLOUR
1	CLEAR	ROSS WHITE NH-196	BLACK NH-1	CANDY BLAZING RED R-195C	BLACK NH-1	BLACK (NH-1K) TYPE-1
2	CLEAR	ROSS WHITE NH-196	BLACK NH-1	PHANTOM GRAY ME. NH-215M	BLACK NH-1	BLACK (NH-1E) TYPE-2
3	CLEAR	ROSS WHITE NH-196	BLACK NH-1	MAURITANIA VIOLET ME. RP-138M	BLACK NH-1	BLACK (NH-1H) TYPE-3
4	CLEAR	FIGHTING RED R-134	FORCE SILVER ME. NH-411M	BLACK NH-1	CLEAR	FORCE SILVER ME. (NH-411M)
5	CLEAR	ROSS WHITE NH-196	CANDY BLAZING RED R-195C	BLACK NH-1	CLEAR	CANDY BLAZING RED (R-195C)
6	CLEAR	ROSS WHITE NH-196	VIBRANT BLUE ME. PB-374M	BLACK NH-1	CLEAR	VIBRANT BLUE ME. (PB-374M)
7	CLEAR	ROSS WHITE NH-196	EBONY GRAY ME. NH-A63M	BLACK NH-1	CLEAR	EBONY GRAY ME. (NH-A63M)

F-27
STRIPES/MARKS

**IMAGE
NOT
PRESENT**

Service Item	F.R.T.	BOM Of Group Number: F-27 Model :: SUPER Splendor (May, 2012)			
		Ref No.	Part Number	Description	Req.
		5	86612-KTC-A20ZA	STRIPE L FR. COWL(TYPE-1)	1
			86612-KTC-A20ZB	STRIPE L FR COWL (TYPE-2)	1
			86612-KTC-A20ZC	STRIPE L FR COWL (TYPE-3)	1
			86612-KTC-A20ZD	STRIPE L FR COWL (TYPE-4)	1
			86612-KTC-A20ZE	STRIPE L FR COWL (TYPE-5)	1
			86612-KTC-A20ZF	STRIPE L FR COWL (TYPE-6)	1
			86612-KTC-A20ZG	STRIPE L FR COWL (TYPE-7)	1

SPECIFIED COLOUR CHART FOR STRIPE, L. FRONT COWL						
SPECIFIED TYPE / COLOUR	A	B	C	S	V	MAIN BODY COLOUR
1	CLEAR	ROSS WHITE NH-196	BLACK NH-1	CANDY BLAZING RED R-195C	BLACK NH-1	BLACK (NH-1K) TYPE-1
2	CLEAR	ROSS WHITE NH-196	BLACK NH-1	PHANTOM GRAY ME. NH-215M	BLACK NH-1	BLACK (NH-1E) TYPE-2
3	CLEAR	ROSS WHITE NH-196	BLACK NH-1	MAURITANIA VIOLET ME. RP-138M	BLACK NH-1	BLACK (NH-1H) TYPE-3
4	CLEAR	FIGHTING RED R-134	FORCE SILVER ME. NH-411M	BLACK NH-1	CLEAR	FORCE SILVER ME. (NH-411M)
5	CLEAR	ROSS WHITE NH-196	CANDY BLAZING RED R-195C	BLACK NH-1	CLEAR	CANDY BLAZING RED (R-195C)
6	CLEAR	ROSS WHITE NH-196	VIBRANT BLUE ME. PB-374M	BLACK NH-1	CLEAR	VIBRANT BLUE ME. (PB-374M)
7	CLEAR	ROSS WHITE NH-196	EBONY GRAY ME. NH-A63M	BLACK NH-1	CLEAR	EBONY GRAY ME. (NH-A63M)

F-27
STRIPES/MARKS

**IMAGE
NOT
PRESENT**

Service Item

F.R.T.

BOM Of Group Number: F-27 Model :: SUPER Splendor (May, 2012)

Ref No.	Part Number	Description	Req.
6	86641-AAG-H20	MARK HERO	1



F-27
STRIPES/MARKS

**IMAGE
NOT
PRESENT**

Service Item	F.R.T.	BOM Of Group Number: F-27 Model :: SUPER Splendor (May, 2012)			
		Ref No.	Part Number	Description	Req.
		7	86771-KTC-A20ZA	STRIPE A R BODY COWL(TYPE-1)	1
			86771-KTC-A20ZB	STRIPE A R BODY COWL(TYPE-2)	1
			86771-KTC-A20ZC	STRIPE A R BODY COWL(TYPE-3)	1
			86771-KTC-A20ZD	STRIPE A R BODY COWL(TYPE-4)	1
			86771-KTC-A20ZE	STRIPE A R BODY COWL(TYPE-5)	1
			86771-KTC-A20ZF	STRIPE A R BODY COWL(TYPE-6)	1
			86771-KTC-A20ZG	STRIPE A R BODY COWL(TYPE-7)	1

SPECIFIED COLOUR CHART FOR STRIPE, A R. BODY COWL								
SPECIFIED COLOUR TYPE	A	B	C	F	K	L	S	MAIN BODY COLOUR
1	CLEAR	ROSS WHITE NH-196	BLACK NH-1	CANDY BLAZING RED R-195C	ROSS WHITE NH-196	FLASH RED R-119	CANDY BLAZING RED R-195C	BLACK (NH-1K) TYPE-1
2	CLEAR	ROSS WHITE NH-196	BLACK NH-1	EBONY GRAY ME. NH-A63M	ROSS WHITE NH-196	ACCURATE SILVER ME. NH-146M	PHANTOM GRAY ME. NH-215M	BLACK (NH-1E) TYPE-2
3	CLEAR	ROSS WHITE NH-196	BLACK NH-1	BLACK NH-1	ROSS WHITE NH-196	FLASH RED R-119	MAURITANIA VIOLET ME. RP-138M	BLACK (NH-1H) TYPE-3
4	CLEAR	FIGHTING RED R-134	FORCE SILVER ME. NH-411M	BLACK NH-1	BLACK NH-1	FIGHTING RED R-134	BLACK NH-1	FORCE SILVER ME. (NH-411M)
5	CLEAR	ROSS WHITE NH-196	CANDY BLAZING RED R-195C	BLACK NH-1	ROSS WHITE NH-196	ACCURATE SILVER ME. NH-146M	BLACK NH-1	CANDY BLAZING RED (R-195C)
6	CLEAR	ROSS WHITE NH-196	VIBRANT BLUE ME. PB-374M	BLACK NH-1	ROSS WHITE NH-196	VIBRANT ORANGE YR-250	BLACK NH-1	VIBRANT BLUE ME. (PB-374M)
7	CLEAR	ROSS WHITE NH-196	EBONY GRAY ME. NH-A63M	BLACK NH-1	ROSS WHITE NH-196	FLASH RED R-119	BLACK NH-1	EBONY GRAY ME. (NH-A63M)

F-27
STRIPES/MARKS

**IMAGE
NOT
PRESENT**

Service Item	F.R.T.	BOM Of Group Number: F-27 Model :: SUPER Splendor (May, 2012)			
		Ref No.	Part Number	Description	Req.
		8	86772-KTC-A20ZA	STRIPE A L BODY COWL(TYPE-1)	1
			86772-KTC-A20ZB	STRIPE A L BODY COWL(TYPE-2)	1
			86772-KTC-A20ZC	STRIPE A L BODY COWL(TYPE-3)	1
			86772-KTC-A20ZD	STRIPE A L BODY COWL(TYPE-4)	1
			86772-KTC-A20ZE	STRIPE A L BODY COWL(TYPE-5)	1
			86772-KTC-A20ZF	STRIPE A L BODY COWL(TYPE-6)	1
			86772-KTC-A20ZG	STRIPE A L BODY COWL(TYPE-7)	1

SPECIFIED COLOUR CHART FOR STRIPE, A L. BODY COWL								
SPECIFIED COLOUR TYPE	A	B	C	F	K	L	S	MAIN BODY COLOUR
1	CLEAR	ROSS WHITE NH-196	BLACK NH-1	CANDY BLAZING RED R-195C	ROSS WHITE NH-196	FLASH RED R-119	CANDY BLAZING RED R-195C	BLACK (NH-1K) TYPE-1
2	CLEAR	ROSS WHITE NH-196	BLACK NH-1	EBONY GRAY ME. NH-A63M	ROSS WHITE NH-196	ACCURATE SILVER ME. NH-146M	PHANTOM GRAY ME. NH-215M	BLACK (NH-1E) TYPE-2
3	CLEAR	ROSS WHITE NH-196	BLACK NH-1	BLACK NH-1	ROSS WHITE NH-196	FLASH RED R-119	MAURITANIA VIOLET ME. RP-138M	BLACK (NH-1H) TYPE-3
4	CLEAR	FIGHTING RED R-134	FORCE SILVER ME. NH-411M	BLACK NH-1	BLACK NH-1	FIGHTING RED R-134	BLACK NH-1	FORCE SILVER ME. (NH-411M)
5	CLEAR	ROSS WHITE NH-196	CANDY BLAZING RED R-195C	BLACK NH-1	ROSS WHITE NH-196	ACCURATE SILVER ME. NH-146M	BLACK NH-1	CANDY BLAZING RED (R-195C)
6	CLEAR	ROSS WHITE NH-196	VIBRANT BLUE ME. PB-374M	BLACK NH-1	ROSS WHITE NH-196	VIBRANT ORANGE YR-250	BLACK NH-1	VIBRANT BLUE ME. (PB-374M)
7	CLEAR	ROSS WHITE NH-196	EBONY GRAY ME. NH-A63M	BLACK NH-1	ROSS WHITE NH-196	FLASH RED R-119	BLACK NH-1	EBONY GRAY ME. (NH-A63M)

F-27
STRIPES/MARKS

**IMAGE
NOT
PRESENT**

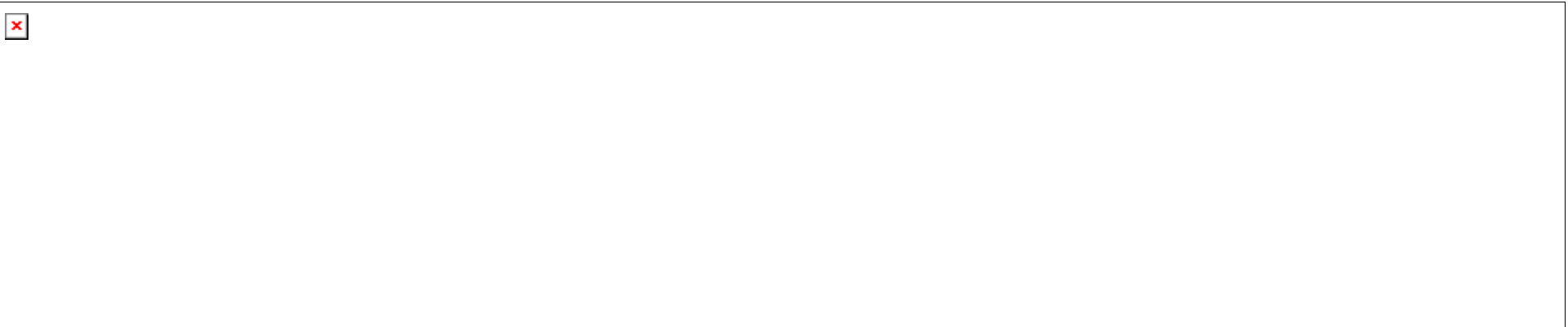
Service Item	F.R.T.	BOM Of Group Number: F-27 Model :: SUPER Splendor (May, 2012)			
		Ref No.	Part Number	Description	Req.
		9	86775-KTC-A20ZA	MARK HERO HONDA 70 MM(TYPE-1)	1
			86775-KTC-A20ZB	MARK HERO HONDA 70 MM(TYPE-2)	1

SPECIFIED COLOUR CHART FOR MARK HERO HONDA 70 MM		
SPECIFIED COLOUR TYPE	Z	MAIN BODY COLOUR
1	ROSS WHITE NH-196	BLACK (NH-1K) TYPE-1
1	ROSS WHITE NH-196	BLACK (NH-1E) TYPE-2
1	ROSS WHITE NH-196	BLACK (NH-1H) TYPE-3
2	BLACK NH-1	FORCE SILVER ME. (NH-411M)
1	ROSS WHITE NH-196	CANDY BLAZING RED (R-195C)
1	ROSS WHITE NH-196	VIBRANT BLUE ME. (PB-374M)
1	ROSS WHITE NH-196	EBONY GRAY ME. (NH-A63M)

F-27
STRIPES/MARKS

**IMAGE
NOT
PRESENT**

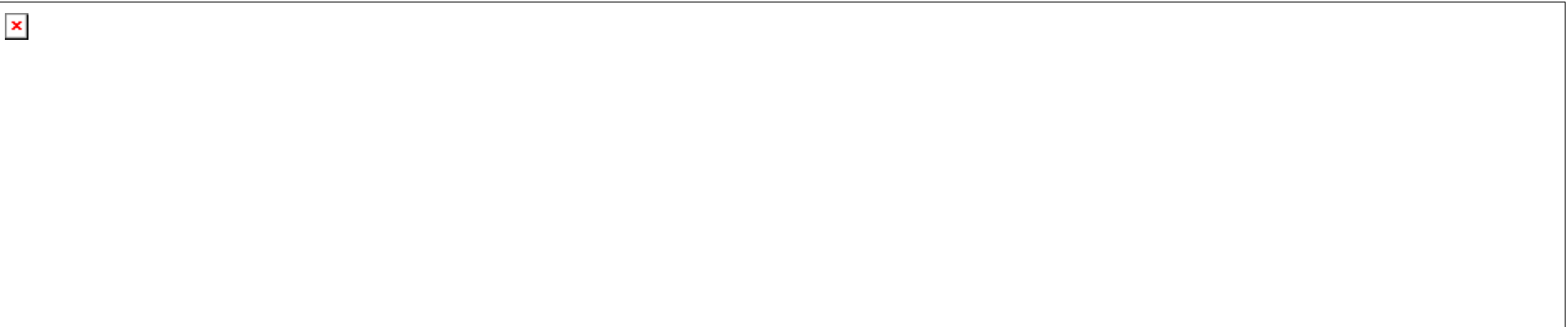
Service Item	F.R.T.	BOM Of Group Number: F-27 Model :: SUPER Splendor (May, 2012)			
		Ref No.	Part Number	Description	Req.
		10	86831-AAG-H20ZA	STRIPE A, R SIDE COVER(TYPE-1)	1
			86831-AAG-H20ZB	STRIPE A, R SIDE COVER(TYPE-2)	1
			86831-AAG-H20ZC	STRIPE A, R SIDE COVER(TYPE-3)	1
			86831-AAG-H20ZD	STRIPE A, R SIDE COVER(TYPE-4)	1
			86831-AAG-H20ZE	STRIPE A, R SIDE COVER(TYPE-5)	1
			86831-AAG-H20ZF	STRIPE A, R SIDE COVER(TYPE-6)	1
			86831-AAG-H20ZG	STRIPE A, R SIDE COVER(TYPE-7)	1



F-27
STRIPES/MARKS

**IMAGE
NOT
PRESENT**

Service Item	F.R.T.	BOM Of Group Number: F-27 Model :: SUPER Splendor (May, 2012)			
		Ref No.	Part Number	Description	Req.
		11	86832-AAG-H20ZA	STRIPE A, L SIDE COVER(TYPE-1)	1
			86832-AAG-H20ZB	STRIPE A, L SIDE COVER(TYPE-2)	1
			86832-AAG-H20ZC	STRIPE A, L SIDE COVER(TYPE-3)	1
			86832-AAG-H20ZD	STRIPE A, L SIDE COVER(TYPE-4)	1
			86832-AAG-H20ZE	STRIPE A, L SIDE COVER(TYPE-5)	1
			86832-AAG-H20ZF	STRIPE A, L SIDE COVER(TYPE-6)	1
			86832-AAG-H20ZG	STRIPE A, L SIDE COVER(TYPE-7)	1



F-27
STRIPES/MARKS

**IMAGE
NOT
PRESENT**

Service Item	F.R.T.	BOM Of Group Number: F-27 Model :: SUPER Splendor (May, 2012)			
		Ref No.	Part Number	Description	Req.
		12	86833-KTC-A20ZA	STRIPE B R SIDE COVER(TYPE-1)	1
			86833-KTC-A20ZB	STRIPE B R SIDE COVER(TYPE-2)	1
			86833-KTC-A20ZC	STRIPE B R SIDE COVER(TYPE-3)	1
			86833-KTC-A20ZD	STRIPE B R SIDE COVER(TYPE-4)	1
			86833-KTC-A20ZE	STRIPE B R SIDE COVER(TYPE-5)	1
			86833-KTC-A20ZF	STRIPE B R SIDE COVER(TYPE-6)	1
			86833-KTC-A20ZG	STRIPE B R SIDE COVER(TYPE-7)	1

SPECIFIED COLOUR CHART FOR STRIPE, B R. SIDE COVER													
SPECIFIED TYPE / COLOUR	A	B	G	K	M	N	O	R	S	T	U	V	MAIN BODY COLOUR
1	CLEAR	ROSS WHITE NH-196	BLACK NH-1	ROSS WHITE NH-196	CANDY GLORY RED-U R-101C-U	CANDY BLAZING RED R-195C	BLACK NH-1	CANDY GLORY RED-U R-101C-U	CANDY BLAZING RED R-195C	BLACK NH-1	BLACK NH-1	BLACK NH-1	BLACK (NH-1K) TYPE-1
2	CLEAR	ROSS WHITE NH-196	BLACK NH-1	ROSS WHITE NH-196	PHANTOM GRAY ME NH-215M	PHANTOM GRAY ME NH-215M	BLACK NH-1	KARAKORUM GRAY ME -U NH-197M-U	PHANTOM GRAY ME NH-215M	BLACK NH-1	BLACK NH-1	BLACK NH-1	BLACK (NH-1E) TYPE-2
3	CLEAR	ROSS WHITE NH-196	BLACK NH-1	ROSS WHITE NH-196	MAURITANIA VIOLET ME. RP-138M	MAURITANIA VIOLET ME. RP-138M	BLACK NH-1	PEARL HERON BLUE PB-332P	MAURITANIA VIOLET ME. RP-138M	BLACK NH-1	BLACK NH-1	BLACK NH-1	BLACK (NH-1H) TYPE-3
4	CLEAR	FIGHTING RED R-134	FIGHTING RED R-134	BLACK NH-1	BLACK NH-1	FIGHTING RED R-134	FIGHTING RED R-134	BLACK NH-1	BLACK NH-1	BLACK NH-1	FORCE SILVER ME. NH-411M	CLEAR	FORCE SILVER ME. (NH-411M)
5	CLEAR	ROSS WHITE NH-196	ROSS WHITE NH-196	ROSS WHITE NH-196	BLACK NH-1	ROSS WHITE NH-196	ROSS WHITE NH-196	BLACK NH-1	BLACK NH-1	BLACK NH-1	CANDY GLORY RED-U R-101C-U	CLEAR	CANDY BLAZING RED (R-195C)
6	CLEAR	ROSS WHITE NH-196	MAURITANIA VIOLET ME. RP-138M	ROSS WHITE NH-196	BLACK NH-1	BLACK NH-1	ROSS WHITE NH-196	BLACK NH-1	BLACK NH-1	BLACK NH-1	VIBRANT BLUE ME. PB-374M	CLEAR	VIBRANT BLUE ME. (PB-374M)
7	CLEAR	ROSS WHITE NH-196	PHANTOM GRAY ME NH-215M	ROSS WHITE NH-196	BLACK NH-1	BLACK NH-1	ROSS WHITE NH-196	BLACK NH-1	BLACK NH-1	BLACK NH-1	PHANTOM GRAY ME NH-215M	CLEAR	EBONY GRAY ME. (NH-A63M)

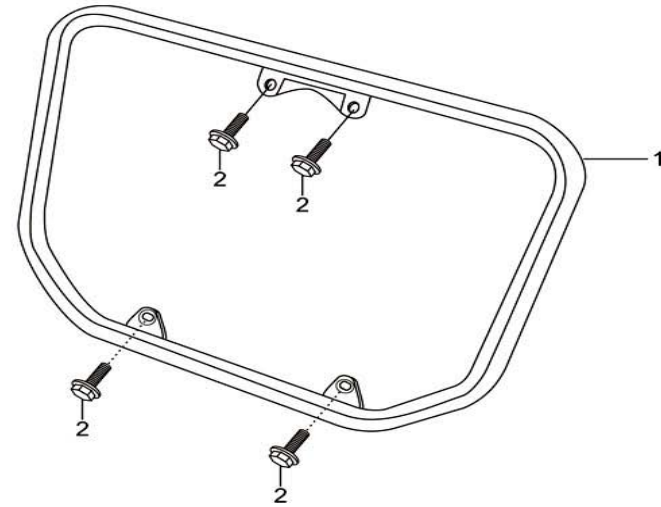
F-27
STRIPES/MARKS

**IMAGE
NOT
PRESENT**

Service Item	F.R.T.	BOM Of Group Number: F-27 Model :: SUPER Splendor (May, 2012)			
		Ref No.	Part Number	Description	Req.
		13	86834-KTC-A20ZA	STRIPE B L SIDE COVER(TYPE-1)	1
			86834-KTC-A20ZB	STRIPE B L SIDE COVER(TYPE-2)	1
			86834-KTC-A20ZC	STRIPE B L SIDE COVER(TYPE-3)	1
			86834-KTC-A20ZD	STRIPE B L SIDE COVER(TYPE-4)	1
			86834-KTC-A20ZE	STRIPE B L SIDE COVER(TYPE-5)	1
			86834-KTC-A20ZF	STRIPE B L SIDE COVER(TYPE-6)	1
			86834-KTC-A20ZG	STRIPE B L SIDE COVER(TYPE-7)	1

SPECIFIED COLOUR CHART FOR STRIPE, B L. SIDE COVER													
SPECIFIED TYPE / COLOUR	A	B	G	K	M	N	O	R	S	T	U	V	MAIN BODY COLOUR
1	CLEAR	ROSS WHITE NH-196	BLACK NH-1	ROSS WHITE NH-196	CANDY GLORY RED-U R-101C-U	CANDY BLAZING RED R-195C	BLACK NH-1	CANDY GLORY RED-U R-101C-U	CANDY BLAZING RED R-195C	BLACK NH-1	BLACK NH-1	BLACK NH-1	BLACK (NH-1K) TYPE-1
2	CLEAR	ROSS WHITE NH-196	BLACK NH-1	ROSS WHITE NH-196	PHANTOM GRAY ME NH-215M	PHANTOM GRAY ME NH-215M	BLACK NH-1	KARAKORUM GRAY ME .U NH-197M-U	PHANTOM GRAY ME NH-215M	BLACK NH-1	BLACK NH-1	BLACK NH-1	BLACK (NH-1E) TYPE-2
3	CLEAR	ROSS WHITE NH-196	BLACK NH-1	ROSS WHITE NH-196	MAURITANIA VIOLET ME. RP-138M	MAURITANIA VIOLET ME. RP-138M	BLACK NH-1	PEARL HERON BLUE PB-332P	MAURITANIA VIOLET ME. RP-138M	BLACK NH-1	BLACK NH-1	BLACK NH-1	BLACK (NH-1H) TYPE-3
4	CLEAR	FIGHTING RED R-134	FIGHTING RED R-134	BLACK NH-1	BLACK NH-1	FIGHTING RED R-134	FIGHTING RED R-134	BLACK NH-1	BLACK NH-1	BLACK NH-1	FORCE SILVER ME. NH-411M	CLEAR	FORCE SILVER ME. (NH-411M)
5	CLEAR	ROSS WHITE NH-196	ROSS WHITE NH-196	ROSS WHITE NH-196	BLACK NH-1	ROSS WHITE NH-196	ROSS WHITE NH-196	BLACK NH-1	BLACK NH-1	BLACK NH-1	CANDY GLORY RED-U R-101C-U	CLEAR	CANDY BLAZING RED (R-195C)
6	CLEAR	ROSS WHITE NH-196	MAURITANIA VIOLET ME. RP-138M	ROSS WHITE NH-196	BLACK NH-1	BLACK NH-1	ROSS WHITE NH-196	BLACK NH-1	BLACK NH-1	BLACK NH-1	VIBRANT BLUE ME. PB-374M	CLEAR	VIBRANT BLUE ME. (PB-374M)
7	CLEAR	ROSS WHITE NH-196	PHANTOM GRAY ME NH-215M	ROSS WHITE NH-196	BLACK NH-1	BLACK NH-1	ROSS WHITE NH-196	BLACK NH-1	BLACK NH-1	BLACK NH-1	PHANTOM GRAY ME NH-215M	CLEAR	EBONY GRAY ME. (NH-A63M)

F-28
GUARD ENGINE



FR.

Service Item	F.R.T.	BOM Of Group Number: F-28 Model :: SUPER Splendor (May, 2012)			
*GUARD, ENGINE	--	Ref No.	Part Number	Description	Req.
		1	50803-KTC-900	GUARD, ENGINE	1
		2	95701-08016-00	BOLT, FLANGE, 8X16	4

F-29
GUARD SARI

**IMAGE
NOT
PRESENT**

Service Item	F.R.T.	BOM Of Group Number: F-29 Model :: SUPER Splendor (May, 2012)			
*GUARD, SARI SUB ASSY.,	--	Ref No.	Part Number	Description	Req.
		1	50720-AAG-H01	HOLDER ASSY HELMET	1
		2	51102-KTC-A20	STEP PILLION	1
		3	51103-KTC-A20	GUARD, SARI	1
		4	51106-KCC-900	CAP, GUARD SARI	1
		5	90107-GZ4-670	BOLT, BREAK OFF	2
		6	95701-08016-00	BOLT, FLANGE, 8X16	2
		7	95701-08032-00	BOLT, FLANGE, 8×32	2

F-30
CAUTION LABEL

**IMAGE
NOT
PRESENT**

Service Item

F.R.T.

BOM Of Group Number: F-30 Model :: SUPER Splendor (May, 2012)

Ref No.	Part Number	Description	Req.
1	87501-AAG-H00	MARK CAUTION ASSY	1
2	87507-KPH-740	LEBEL, DRIVE CHAIN	1
3	87506-KTC-920	MARK, BATTERY CAUTION	1
4	87522-MAB-600	LABEL, VISOR CAUTION	1

PARTS INDEX

PART NO	BLOCK
11100-KTC-A20	E-8
11133-KPH-900	E-5
11200-KTC-A20	E-8
11208-KTC-900	E-9
11215-KTC-901	E-8
11216-KTC-901	E-8
11217-KTC-901	E-8
11330-AAG-H00	E-5
11341-AAG-H00	E-7
11341-AAG-H00	E-7A
11360-KTC-A20	E-7
11360-KTC-A20	E-7A
11394-KPH-901	E-5
11395-KPH-901	E-7
11395-KPH-901	E-7A
12100-KTC-A20	E-2
12191-KPH-901	E-2
12195-KPH-900	E-2
12196-KPH-900	E-2
12197-KPH-900	E-2
12200-KTC-A20	E-1
12209-GB4-685	E-3
12211-KPH-900	E-3
12213-KSP-910	E-1
12237-KPH-305	E-1
12251-KPH-901	E-1
12341-KTC-A20	E-1
12361-KTC-A20	E-1
12395-KPH-901	E-1
13000-KTC-902	E-9
13011-KTC-305	E-9
13021-KTC-305	E-9
13031-KTC-305	E-9
13041-KTC-305	E-9
13051-KTC-305	E-9
13101-KTC-900	E-9
13102-KTC-305	E-9
13103-KTC-305	E-9
13104-KTC-305	E-9
13105-KTC-305	E-9
13111-087-000	E-9
13115-001-000	E-9
13201-KFL-850	E-9

PART NO	BLOCK
13322-KTC-900	E-9
13381-KPH-900	E-9
14100-KTC-900	E-3
14311-KPH-900	E-9
14321-KTC-900	E-4
14401-KTC-900	E-4
14431-KTC-900	E-3
14451-KTC-900	E-3
14452-KTC-900	E-3
14510-KTC-900	E-4
14515-KTC-900	E-4
14520-KTC-901	E-4
14560-KSP-910	E-4
14610-KPH-900	E-4
14711-KTC-900	E-3
14721-KTC-900	E-3
14751-KPH-900	E-3
14771-GB4-680	E-3
14775-KFM-900	E-3
14776-KPH-900	E-3
14781-MA6-000	E-3
15100-KTC-900	E-8
15133-KTC-900	E-8
15341-KTC-900	E-9
15421-035-010	E-8
15431-KTC-901	E-6
15441-KTC-900	E-6
15441-KTC-900A	E-10
15441-KTC-900A	E-6
15611-KTC-900	E-5
15661-KTC-900	E-5
16010-KWS-901	E-13
16012-KTC-A21	E-13
16013-KRB-901	E-13
16014-KTR-A01	E-13
16015-KTR-A01	E-13
16016-KPH-651	E-13
16022-KTR-A01	E-13
16028-KTT-901	E-13
16037-KPH-901	E-13
16075-KTC-901	E-13
16076-KPL-901	E-13
16100-KTC-A21	E-13

PART NO	BLOCK
16118-KTR-A01	E-13
16148-KPL-901	E-13
16155-KRS-861	E-13
16163-KWS-901	E-13
16165-KTR-A01	E-13
16199-KCP-J01	E-13
16201-KTR-A00	E-1
16211-KTC-900	E-1
16236-KTC-900	E-7
16236-KTC-900	E-7A
16950-KTR-901	F-13
16952-KCC-900	F-13
16955-KTC-A20	F-13
16958-397-770	F-13
17110-KTC-A20	E-1
17199-KTC-A20	F-13
17210-KWA-840	F-15
17212-KCC-900	F-15
17212-KTC-900	F-15
17213-KWA-940	F-15
17214-KWA-840	F-15
17218-KTC-900	F-15
17219-KTC-900	F-15
17234-KCC-940	F-15
17234-KTC-900	F-15
17235-KTC-900	F-15
17251-KTC-900	F-15
17253-KTC-900	F-15
17316-611-000	F-25
17365-KTC-900	F-15
17505-KTC-A20ZA	F-13
17505-KTC-A20ZB	F-13
17505-KTC-A20ZC	F-13
17505-KTC-A20ZD	F-13
17505-KTC-A20ZE	F-13
17505-KTC-A20ZF	F-13
17505-KTC-A20ZG	F-13
17512-KCC-900	F-12
17611-KTR-A00	F-13
17613-KTR-A00	F-13
17620-GE2-931	F-13
17622-GB7-900	F-25
17681-KTC-900	F-13

PART NO	BLOCK
23802-GN5-910	E-10
24211-KTC-900	E-12
24212-KTC-900	E-12
24241-KPH-900	E-12
24301-KTC-900	E-12
24410-KTC-900	E-12
24421-KTC-900	E-12
24430-KTC-900	E-12
24435-KTC-900	E-12
24610-KTR-940	E-12
24639-KPG-T00	E-12
24641-KTC-900	E-12
24651-KTC-900	E-12
24652-KPH-900	E-12
24701-KTR-A00	F-17
28110-KTC-921	E-7C
28120-KTR-A00A	E-7C
28131-KTC-920	E-7C
28132-KPH-900	E-7C
28133-KPH-900	E-7C
28211-KTC-900	E-11
28221-KTC-900	E-11
28251-KTC-900	E-11
28262-KTC-900	E-11
28265-KPH-900	E-11
28271-KPH-900	E-11
28281-KPH-900	E-11
28282-KPH-900	E-11
28293-KAG-900	F-17
28302-KTC-900	F-17
2830A-KTC-900	F-17
28321-KTC-900	F-17
28333-124-000	F-17
30401-KTE-910	F-24
30410-KTC-A21	F-24
30500-AAG-H21	F-24
30700-KTC-A21	F-24
31100-KTR-A01	E-7B
31100-KTR-A01	E-7C
31110-KTR-A01	E-7B
31110-KTR-A01	E-7C
31120-KTR-A01	E-7B
31120-KTR-A01	E-7C

PART NO	BLOCK
31200-KTC-921	E-7D
31201-KPT-A01	E-7D
31204-KG8-004	E-7D
31205-KTC-921	E-7D
31206-KPW-901	E-7D
31207-MBE-008	E-7D
31500-KVT-801	F-24
31600-KTR-A01	F-24
31700-124-000	F-24
31916-KPH-901	E-1
32100-KTC-A20	F-24
32108-344-820	F-24
32108-GW6-700	F-24
32108-KE8-000	F-24
32161-404-000	F-3
32401-KTR-A00	F-24
32406-MAK-000	F-24
32410-KTR-A00	F-24
32411-253-000	F-24
32417-KTR-A10	F-24
32601-KTR-A00	E-7D
32961-KPH-900	E-7B
32961-KPH-900	E-7C
33108-KRY-900	F-1
3310A-AAG-H20	F-1
33110-AAG-H01	F-1
33126-KTC-900	F-1
33128-GBL-000	F-1
33150-KTC-A20	F-1
33401-KCC-730	F-22
33402-KCC-690	F-22
33402-KCC-690Z	F-22
33405-KCC-730	F-22
33407-KCC-900	F-22
33408-KCC-730	F-22
3340A-KTC-A21	F-22
33415-KTC-A21	F-22
33451-KCC-730	F-22
33451-KCC-730	F-22
33455-KCC-730A	F-22
3345A-KTC-A21	F-22
33465-KTC-A21	F-22
33491-KAF-003	F-22

PART NO	BLOCK
33605-KCC-730	F-22
3360A-KTC-A21	F-22
33615-KTC-A21	F-22
33619-459-840	F-16
33655-KCC-730A	F-22
3365A-KTC-A21	F-22
33665-KTC-A21	F-22
33702-KTC-A20	F-23
33703-AAG-H21	F-23
33704-KTC-900	F-23
33705-KTC-901	F-23
33705-KW7-900	F-23
3370A-AAG-H21	F-23
33714-KL3-620	F-25
33741-KST-920	F-21
34901-KSP-910	F-1
34907-KVN-901	F-23
34908-GA7-700	F-1
34908-KVE-900	F-2
34909-KVH-900	F-2
34930-KWA-930	F-22
35010-AAG-H20	F-2
35100-AAG-H21	F-2
35106-KTC-900	F-2
35121-KWA-930	F-2
35122-KWA-930	F-2
35150-AAG-H20	F-3
35200-KTC-A20	F-3
35330-413-000	F-3
35340-KTC-A21	F-3
35350-KTR-A00	F-18
35357-KCC-900	F-18
35751-KPH-900	E-12
35752-KRM-840	E-12
35759-KTR-A01	E-8
35850-KR3-870	F-24
35856-KBG-007	F-24
37100-KTC-A21	F-2
37200-KTC-A21	F-2
37211-KTC-A21	F-2
37212-KTC-A21	F-2
37215-MB6-830	F-2
37243-323-000	F-17

PART NO	BLOCK
42615-198-900	F-11-CAST
42615-198-900	F-11-SPOKE
42620-KTR-700	F-11-CAST
42620-KTR-940	F-11-SPOKE
42653-001-000	F-11-CAST
42653-001-000	F-11-SPOKE
42711-KTC-901	F-11-CAST
42711-KTC-901	F-11-SPOKE
42712-KCS-920	F-11-CAST
42712-KCS-920	F-11-SPOKE
42712-KCS-920	F-9-CAST
42712-KCS-920	F-9-SPOKE
42712-KFN-850	F-11-CAST
42712-KFN-850	F-11-SPOKE
42713-KFN-850	F-11-SPOKE
42713-KFN-850	F-9-SPOKE
43100-KTC-900	F-10
43100-KTR-700	F-10
43125-KRP-981	F-10
43125-KRP-981	F-8
43125-KTN-701	F-10
43125-KTN-701	F-8
43141-KTC-900	F-10
43410-KCT-690	F-10
43431-KTR-900	F-19
43434-286-000	F-10
43451-KTC-900	F-18
44301-KTR-700	F-9-CAST
44301-KTR-700	F-9-SPOKE
44311-KRC-900	F-9-CAST
44311-KRC-900	F-9-SPOKE
44601-KTR-702Z	F-9-CAST
44601-KTR-940Z	F-9-SPOKE
44620-198-900	F-9-SPOKE
44620-400-000	F-9-CAST
44701-KCC-900	F-9-SPOKE
44701-KCC-900	F-11-SPOKE
44711-KFN-850	F-9-SPOKE
44711-KFN-850	F-9-CAST
44805-KTC-900	F-8
44806-KST-900	F-8
44809-170-000	F-8
44810-KTC-900	F-8

PART NO	BLOCK
44830-KWA-910	F-2
44831-KTC-900	F-2
45010-KTC-900	F-8
45010-KTR-700	F-8
45133-KCC-900	F-10
45133-KCC-900	F-8
45134-250-000	F-10
45134-250-000	F-8
45141-KTC-900	F-8
45145-096-650	F-8
45145-KFM-900	F-10
45410-KCC-900	F-8
45435-GB2-720	F-8
45450-KTC-900	F-3
45451-KCC-900	F-6
46500-KTR-A00	F-18
46514-KCC-900	F-18
46515-KB9-000	F-18
50100-KTC-A20	F-25
50160-KTC-900	F-17
50181-KTR-940	F-16
50211-KTR-A00	F-25
50225-KTC-900	F-25
50301-KTR-900	F-5
50400-KTC-A20ZA	F-12
50400-KTC-A20ZE	F-12
50400-KTC-A20ZG	F-12
50451-GB6-920	F-1
50500-KTR-A00	F-18
50505-KCC-900	F-16
50512-KTC-900	F-18
50530-KCC-900	F-17
50603-KB4-000	F-17
50614-413-000	F-17
50618-KCC-000	F-17
50619-KCC-000	F-17
50620-KTC-900	F-17
50621-KTC-900	F-17
50661-425-670	F-17
50701-KTC-A20	F-17
50702-KTC-A20	F-17
50710-461-770	F-17
50712-438-730	F-17

PART NO	BLOCK
50713-438-730	F-17
50715-KCC-900	F-17
50718-KCC-900	F-17
50720-AAG-H01	F-29
50803-KTC-900	F-28
51102-KTC-A20	F-29
51103-KTC-A20	F-29
51106-KCC-900	F-29
51400-KWA-941	F-7
51401-KST-941	F-7
51403-447-730	F-7
51403-KCC-900	F-7
51410-KWA-941	F-7
51412-KAG-900	F-7
51412-KWA-941	F-7
51420-KWA-941	F-7
51425-KST-901	F-7
51432-KST-901	F-7
51437-KVN-901	F-7
51440-KTR-901	F-7
51500-KWA-941	F-7
51520-KWA-941	F-7
52101-KTC-900	F-19
52110-KTR-940	F-19
52147-KTC-900	F-19
52170-KTR-900	F-19
52400-KTC-A21	F-20
52410-KTC-A21	F-20
52486-056-000	F-20
52486-KAG-900	F-20
52489-399-600	F-20
52495-098-000	F-20
53100-KTC-900	F-4
53131-KTR-A00	F-4
53132-124-000	F-4
53133-198-900	F-4
53134-028-000	F-4
53135-198-900	F-4
53136-198-900	F-4
53140-KTC-900	F-3
53166-KTC-900	F-3
53168-166-000	F-3
53171-KCC-900	F-3

PART NO	BLOCK
75581-673-000	F-25
77200-KTC-A20	F-12
77202-KCC-900	F-12
77202-KCC-900	F-21
77204-KCC-900	F-12
77206-KCC-900	F-12
7720A-KTC-A20	F-12
77235-AAG-H20ZA	F-12
77235-AAG-H20ZD	F-12
77235-AAG-H20ZE	F-12
77235-AAG-H20ZF	F-12
77235-AAG-H20ZG	F-12
77238-AAG-H200	F-27
77240-KTC-A20ZA	F-12
77240-KTC-A20ZB	F-12
77240-KTC-A20ZC	F-12
77240-KTC-A20ZD	F-12
77240-KTC-A20ZE	F-12
77240-KTC-A20ZF	F-12
77240-KTC-A20ZG	F-12
77247-KCC-770	F-1
77250-KTC-A20ZA	F-12
77250-KTC-A20ZB	F-12
77250-KTC-A20ZC	F-12
77250-KTC-A20ZD	F-12
77250-KTC-A20ZE	F-12
77250-KTC-A20ZF	F-12
77250-KTC-A20ZG	F-12
80100-KTC-A20	F-21
80101-443-000	F-1
80101-443-000	F-2
80151-KTC-A20	F-21
83402-KTC-A20	F-1
83407-KTR-940	F-15
83500-AAG-H20ZA	F-14
83500-AAG-H20ZB	F-14
83500-AAG-H20ZC	F-14
83500-AAG-H20ZD	F-14
83500-AAG-H20ZE	F-14
83500-AAG-H20ZF	F-14
83500-AAG-H20ZG	F-14
83511-KTC-900	F-25
83512-KTC-A20	F-25

PART NO	BLOCK
83513-KTC-A20	F-25
83514-KTC-A20	F-25
83515-KTC-A20	F-25
83516-KTC-A20	F-25
83517-KTC-A20	F-25
83518-KTC-A20	F-25
83518-KVH-900	F-25
83519-KTC-A20	F-25
83520-KTC-900	F-25
83550-KTC-A01	F-14
83550-KTC-A01	F-25
83551-300-000	F-12
83551-300-000	F-13
83600-AAG-H20ZA	F-14
83600-AAG-H20ZB	F-14
83600-AAG-H20ZC	F-14
83600-AAG-H20ZD	F-14
83600-AAG-H20ZE	F-14
83600-AAG-H20ZF	F-14
83600-AAG-H20ZG	F-14
83601-MN5-000	F-1
84701-KTC-900	F-21
84701-P26-D00A	F-21
84702-KCC-900	F-12
84702-KCC-900	F-21
86171-KTC-A20ZA	F-27
86171-KTC-A20ZB	F-27
86171-KTC-A20ZC	F-27
86171-KTC-A20ZD	F-27
86171-KTC-A20ZE	F-27
86171-KTC-A20ZF	F-27
86171-KTC-A20ZG	F-27
86172-KTC-A20ZA	F-27
86172-KTC-A20ZB	F-27
86172-KTC-A20ZC	F-27
86172-KTC-A20ZD	F-27
86172-KTC-A20ZE	F-27
86172-KTC-A20ZF	F-27
86172-KTC-A20ZG	F-27
86611-KTC-A20ZA	F-27
86611-KTC-A20ZB	F-27
86611-KTC-A20ZC	F-27
86611-KTC-A20ZD	F-27

PART NO	BLOCK
86611-KTC-A20ZE	F-27
86611-KTC-A20ZF	F-27
86611-KTC-A20ZG	F-27
86612-KTC-A20ZA	F-27
86612-KTC-A20ZB	F-27
86612-KTC-A20ZC	F-27
86612-KTC-A20ZD	F-27
86612-KTC-A20ZE	F-27
86612-KTC-A20ZF	F-27
86612-KTC-A20ZG	F-27
86641-AAG-H20	F-27
86771-KTC-A20ZA	F-27
86771-KTC-A20ZB	F-27
86771-KTC-A20ZC	F-27
86771-KTC-A20ZD	F-27
86771-KTC-A20ZE	F-27
86771-KTC-A20ZF	F-27
86771-KTC-A20ZG	F-27
86772-KTC-A20ZA	F-27
86772-KTC-A20ZB	F-27
86772-KTC-A20ZC	F-27
86772-KTC-A20ZD	F-27
86772-KTC-A20ZE	F-27
86772-KTC-A20ZF	F-27
86772-KTC-A20ZG	F-27
86775-KTC-A20ZA	F-27
86775-KTC-A20ZB	F-27
86831-AAG-H20ZA	F-27
86831-AAG-H20ZB	F-27
86831-AAG-H20ZC	F-27
86831-AAG-H20ZD	F-27
86831-AAG-H20ZE	F-27
86831-AAG-H20ZF	F-27
86831-AAG-H20ZG	F-27
86832-AAG-H20ZA	F-27
86832-AAG-H20ZB	F-27
86832-AAG-H20ZC	F-27
86832-AAG-H20ZD	F-27
86832-AAG-H20ZE	F-27
86832-AAG-H20ZF	F-27
86832-AAG-H20ZG	F-27
86833-KTC-A20ZA	F-27
86833-KTC-A20ZB	F-27

PART NO	BLOCK
90083-KVH-900	E-4
90084-KRY-960	E-7
90084-KTC-A20	E-7A
90085-KTC-920	E-7C
90087-KTC-A20	E-7
90087-KTC-A20	E-7A
90101-GEO-000	F-12
90101-GEO-000	F-14
90101-GJ6-000	F-1
90101-KCC-940	F-25
90101-KWA-830	F-15
90102-KVN-900	F-4
90107-GZ4-670	F-29
90107-KAN-900	F-16
90108-223-000	F-17
90109-MZ5-008	F-2
90111-187-000	F-15
90111-187-010	F-15
90111-187-020	F-15
90111-MR5-000	F-24
90114-310-000	F-3
90116-KAG-900	F-7
90117-065-000	F-4
90118-383-000	F-19
90122-KVT-941	F-24
90123-KRM-860	F-7
90123-KST-941	F-7
90133-331-770	F-19
90183-KTC-900	F-19
90201-MW3-620	F-3
90206-001-000	E-3
90231-087-000	E-6
90231-KM7-700	E-6
90301-473-000	F-10
90302-KBP-900	F-19
90304-GA6-000	F-4
90304-KPH-900	F-16
90304-KSP-900	F-4
90304-KST-942	F-4
90304-KTE-911	F-4
90305-169-000	F-10
90306-KST-942	F-9-SPOKE
90306-KST-942	F-9-CAST

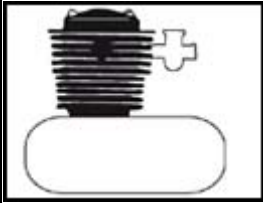
PART NO	BLOCK
90306-KST-942	F-19
90306-KTE-911	F-9-SPOKE
90306-KTE-911	F-9-CAST
90306-KVT-941	F-24
90307-001-000	F-11-CAST
90307-001-000	F-11-SPOKE
90307-GJ6-000	F-1
90309-357-000	F-11-CAST
90309-357-000	F-11-SPOKE
90311-MT3-000	F-1
90311-MT3-000	F-15
90320-GC3-000	F-12
90320-GC3-000	F-21
90324-KCC-900	F-13
90325-KCC-900	F-13
90380-MB2-000	F-22
90381-KWA-940	F-14
90403-KPH-900	E-6
90407-259-000	E-8
90412-187-000	E-10
90412-KPH-900	E-10
90432-086-000	E-6
90435-HB3-000	E-12
90439-SB2-010	E-7B
90439-SB2-010	E-7C
90441-286-000	E-1
90441-KA4-700	E-10
90441-ME9-000	E-1
90443-107-000	E-1
90452-KGH-900	E-10
90452-KPH-900	E-11
90454-KPH-900	E-11
90461-357-000	E-1
90461-GB4-770	E-10
90461-KTC-900	E-10
90463-ML7-000	E-5
90501-GBL-730	E-6
90501-KC2-750	F-25
90502-198-900	F-18
90503-KTR-900	F-4
90505-425-000	F-10
90521-292-000	F-7
90544-439-930	F-7

PART NO	BLOCK
90551-178-000	F-20
90558-KTR-900	F-19
90559-KTR-900	F-19
90563-355-000	F-12
90563-355-000	F-21
90601-GF5-730	F-7
90601-KTC-900	E-10
90605-KTC-900	E-10
90605-KTC-900	E-11
90651-KV6-003	F-24
90672-KPL-901	F-24
90702-GB6-910	E-7
90702-GB6-910	E-5
90702-GB6-910	E-7A
90702-GB6-910	E-3
90741-003-000	E-9
90741-KGH-900	E-9
90753-029-000	F-11-CAST
90753-029-000	F-11-SPOKE
91001-KTC-900	E-9
91002-KTC-901	E-9
91007-KPH-901	E-5
91071-KTC-900	E-7C
91101-GF6-000R	E-9
91102-GF6-000R	E-9
91103-GF6-000R	E-9
91105-KTC-900	E-3
91111-KW7-900	E-12
91204-KPH-901	E-10
91204-MC7-003	E-5
91208-KPH-901	E-8
91251-GK4-000	F-8
91251-KPH-901	F-9-SPOKE
91251-KPH-901	F-9-CAST
91255-KWA-941	F-7
91301-KTC-900	E-6
91303-377-000	E-7
91303-377-000	E-7A
91303-719-000	E-5
91304-704-000	F-11-CAST
91304-704-000	F-11-SPOKE
91304-KPG-T00	E-1
91305-443-740	F-13

PART NO	BLOCK
94001-06070-0S	F-1
94001-06070-0S	F-2
94001-08000-0S	F-10
94001-08000-0S	F-19
94002-06000-0S	F-21
94002-08000-0S	F-3
94002-10000-0S	F-20
94021-06000-0S	F-24
94021-06000-0S	F-25
94030-10000	F-17
94030-10000	F-25
94050-06000	F-8
94050-06000	F-3
94050-06000	F-13
94050-06000	F-16
94050-10000	F-22
94050-10000	F-20
94050-12000	E-7B
94050-12000	E-7C
94101-04800	F-1
94101-05000	F-1
94101-05000	F-15
94101-06000	F-10
94101-06000	F-11-CAST
94101-06000	F-11-SPOKE
94101-06000	F-4
94101-06000	F-17
94101-06000	F-19
94101-06000	F-21
94101-08000	F-17
94101-08000	F-19
94101-10000	F-25
94101-12800	F-20
94103-06700	F-1
94103-06700	F-2
94111-03800	F-2
94111-10000	F-19
94201-16150	F-17
94201-20150	F-10
94201-20150	F-18
94201-20150	F-19
94201-30250	F-9-SPOKE
94201-30250	F-10

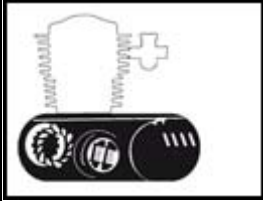
PART NO	BLOCK
94201-30250	F-18
94201-30250	F-9-CAST
94301-10120	E-2
94301-10120	E-8
94303-03050	E-9
94540-06018	E-8
95002-02070	F-25
95002-02080	F-13
95002-02089	E-13
95002-02100	F-13
95002-02130	F-15
95002-02659	E-13
95002-80000	F-15
95005-35310-50	E-13
95011-51000	F-17
95014-21101	F-4
95014-71702	F-18
95014-72302	F-17
95014-73100	F-18
95015-32001	F-18
95015-32001	F-8
95015-42000	F-18
95015-42000	F-8
95015-53000	F-18
95015-81000	F-17
95018-46250	F-15
95301-10110-00	F-25
95701-06012-00	E-5
95701-06012-00	E-3
95701-06012-07	F-1
95701-06014-00	E-4
95701-06016-00	E-9
95701-06016-00	E-8
95701-06016-07	F-23
95701-06016-08	F-21
95701-06016-08	F-24
95701-06016-08	F-25
95701-06020-00	F-6
95701-06020-07	F-25
95701-06020-08	F-12
95701-06020-08	F-21
95701-06022-00	E-1
95701-06025-00	E-7D

PART NO	BLOCK
95701-06025-18	E-1
95701-06025-18	F-12
95701-06032-00	F-8
95701-06035-00	F-10
95701-06110-00	E-1
95701-08016-00	F-28
95701-08016-00	F-29
95701-08016-00	F-16
95701-08016-00	F-25
95701-08016-07	F-17
95701-08022-08	F-12
95701-08032-00	F-29
95701-08035-08	F-13
95701-08040-00	F-5
95701-10045-07	F-17
95801-10035-02	F-20
96001-06014-00	E-1
96001-06016-00	E-7B
96001-06016-00	E-1
96001-06016-00	E-7C
96001-06020-00	E-1
96001-06020-07	F-1
96001-06022-00	E-7B
96001-06022-00	E-7C
96001-06022-00	E-4
96001-06025-00	E-7
96001-06025-00	E-7A
96001-06025-07	F-3
96001-06028-00	E-7A
96001-06035-00	E-7
96001-06035-00	E-7A
96001-06040-00	E-7
96001-06040-00	E-5
96001-06060-00	E-8
96001-06095-00	E-1
96100-60010-00	E-10
96100-62000-00	E-6
96100-62010-00	E-10
96100-62030-00	E-10
96140-63010-10	F-9-SPOKE
96140-63010-10	F-11-CAST
96140-63010-10	F-11-SPOKE
96140-63010-10	F-9-CAST



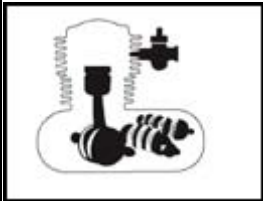
- ✱E-1
- ✱E-2
- ✱E-3

CYLINDER HEAD	1
CYLINDER	3
CAM SHAFT/VALVE	4



- ✱E-4
- ✱E-5
- ✱E-6
- ✱E-7
- ✱E-7A
- ✱E-7B
- ✱E-7C
- ✱E-7D

CAM CHAIN TENSIONER	5
RIGHT CRANK CASE COVER	6
CLUTCH	7
LEFT CRANK CASE COVER (KICK)	9
LEFT CRANK CASE COVER (SELF START)	10
A.C. GEN. ASSY.	11
A.C.GEN. ASSY. /STARTING CLUTCH (SELF START)	12
STARTER MOTOR	13



- ✱E-8
- ✱E-9
- ✱E-10
- ✱E-11
- ✱E-12
- ✱E-13

CRANK CASE	14
CRANK SHAFT/PISTON	16
TRANSMISSION	19
KICK STARTER	21
GEAR SHIFT	22
CARBURETTOR	23



- ✱F-1
- ✱F-2
- ✱F-3
- ✱F-4
- ✱F-5
- ✱F-6
- ✱F-7

LIGHT ASSY. HEAD	25
SPEEDOMETER/CABLE/KEY SET	28
HANDLE LEVER/SWITCH/CONTROL CABLE	30
HANDLE PIPE/TOP BRIDGE	32
STEERING STEM	33
FRONT FENDER	34
FRONT FORK	35



- ✱F-8
- ✱F-9-CAST
- ✱F-9-SPOKE
- ✱F-10
- ✱F-11-CAST
- ✱F-11-SPOKE

FR. BRAKE PANEL	37
FRONT WHEEL (DRUM)	38
FRONT WHEEL (DRUM)	39
REAR BRAKE PANEL	40
REAR WHEEL	42
REAR WHEEL	44



- ✱F-12
- ✱F-13
- ✱F-14
- ✱F-15

SEAT ASSY./RR COWL/REAR GRIP	46
FUEL TANK	48
SIDE COVER	50
AIR CLEANER	51



- ✱F-16
- ✱F-17
- ✱F-18
- ✱F-19
- ✱F-20

MUFFLER EXH.	53
STEP ASSY./KICK STARTER/GEAR CHANGE PEDAL/SIDE STAND	54
MAIN STAND/PEDAL BRAKE	56
SWINGARM/CHAIN CASE	57
REAR CUSHION	59



- ✱F-21
- ✱F-22
- ✱F-23
- ✱F-24

REAR FENDER	60
WINKERS	61
TAIL LIGHT	63
WIRE HARNESS	64



- F-25
- F-26
- F-27
- F-28
- F-29
- F-30

FRAME BODY/UTILITY BOX	66
TOOLS	68
STRIPES/MARKS	69
GUARD ENGINE	82
GUARD SARI	83
CAUTION LABEL	84

